



TRAFFIC CRASH REPORT

LOCAL REPORT NUMBER * 16-31747	CRASH SEVERITY 3 1 - FATAL 2 - INJURY 3 - PDO	HIT/SKIP <input type="checkbox"/> 1 - SOLVED <input type="checkbox"/> 2 - UNSOLVED
--	--	--

<input type="checkbox"/> PHOTOS TAKEN <input checked="" type="checkbox"/> OH-2 <input type="checkbox"/> OH-1P <input type="checkbox"/> OH-3 <input type="checkbox"/> OTHER	<input type="checkbox"/> PDO UNDER STATE REPORTABLE DOLLAR AMOUNT	<input type="checkbox"/> PRIVATE PROPERTY	REPORTING AGENCY NCIC * 08304	REPORTING AGENCY NAME * MASON POLICE	NUMBER OF UNITS 02	UNIT IN ERROR 02 98 - ANIMAL 99 - UNKNOWN
---	---	---	---	--	------------------------------	---

COUNTY * 83	<input checked="" type="checkbox"/> CITY * <input type="checkbox"/> VILLAGE * <input type="checkbox"/> TOWNSHIP *	CITY, VILLAGE, TOWNSHIP * MASON	CRASH DATE * 09162016	TIME OF CRASH 1538	DAY OF WEEK FRI
-----------------------	---	---	---------------------------------	------------------------------	---------------------------

DEGREES / MINUTES / SECONDS LATITUDE 39° 22' 40.30"	LONGITUDE 84° 16' 44.14"	DECIMAL DEGREES LATITUDE 39.377861	LONGITUDE 84.278927
--	------------------------------------	---	-------------------------------

ROADWAY DIVISION <input checked="" type="checkbox"/> DIVIDED <input type="checkbox"/> UNDIVIDED	DIVIDED LANE DIRECTION OF TRAVEL <input type="checkbox"/> N - NORTHBOUND <input type="checkbox"/> E - EASTBOUND <input type="checkbox"/> S - SOUTHBOUND <input type="checkbox"/> W - WESTBOUND	NUMBER OF THRU LANES 02	ROAD TYPES OR MILEPOST ² AL - ALLEY CR - CIRCLE HE - HEIGHTS MP - MILEPOST PL - PLACE ST - STREET WA - WAY AV - AVENUE CT - COURT HW - HIGHWAY PK - PARKWAY RD - ROAD TE - TERRACE BL - BOULEVARD DR - DRIVE LA - LANE PI - PIKE SQ - SQUARE TL - TRAIL
---	--	-----------------------------------	---

LOCATION ROUTE NUMBER <input type="checkbox"/> LOCATION ROUTE TYPE 1	LOCATION ROUTE NUMBER <input type="checkbox"/> LOCATION ROUTE TYPE 2	LOC PREFIX N, S, E, W MASON MORROW	LOCATION ROAD NAME MASON MORROW	ROUTE TYPES ¹ IR - INTERSTATE ROUTE (INC. TURNPIKE) CR - NUMBERED COUNTY ROUTE US - US ROUTE TR - NUMBERED TOWNSHIP ROUTE SR - STATE ROUTE
---	---	--	---	--

DISTANCE FROM REFERENCE 70	DIR FROM REF N, S, E, W E	REFERENCE ROUTE TYPE 1 US	REFERENCE ROUTE NUMBER 42	REF PREFIX N, S, E, W <input type="checkbox"/>	REFERENCE NAME (ROAD, MILEPOST, HOUSE #) <input type="checkbox"/>	REFERENCE ROAD TYPE 2 <input type="checkbox"/>
--------------------------------------	-------------------------------------	-------------------------------------	-------------------------------------	---	--	---

REFERENCE POINT USED <input checked="" type="checkbox"/> 1 - INTERSECTION <input type="checkbox"/> 2 - MILE POST <input type="checkbox"/> 3 - HOUSE NUMBER	CRASH LOCATION <input checked="" type="checkbox"/> 01 - NOT AN INTERSECTION <input type="checkbox"/> 02 - FOUR-WAY INTERSECTION <input type="checkbox"/> 03 - T-INTERSECTION <input type="checkbox"/> 04 - Y-INTERSECTION <input type="checkbox"/> 05 - TRAFFIC CIRCLE/ROUNDBOAT	<input type="checkbox"/> 06 - FIVE-POINT, OR MORE <input type="checkbox"/> 07 - ON RAMP <input type="checkbox"/> 08 - OFF RAMP <input type="checkbox"/> 09 - CROSSOVER <input type="checkbox"/> 10 - DRIVEWAY/ALLEY ACCESS	<input type="checkbox"/> 11 - RAILWAY GRADE CROSSING <input type="checkbox"/> 12 - SHARED-USE PATHS OR TRAILS <input type="checkbox"/> 99 - UNKNOWN	<input type="checkbox"/> INTERSECTION RELATED	LOCATION OF FIRST HARMFUL EVENT <input checked="" type="checkbox"/> 1 - ON ROADWAY <input type="checkbox"/> 2 - ON SHOULDER <input type="checkbox"/> 3 - IN MEDIAN <input type="checkbox"/> 4 - ON ROADSIDE <input type="checkbox"/> 5 - ON GORE <input type="checkbox"/> 6 - OUTSIDE TRAFFICWAY <input type="checkbox"/> 9 - UNKNOWN
---	---	--	---	---	--

ROAD CONTOUR <input checked="" type="checkbox"/> 1 - STRAIGHT LEVEL <input type="checkbox"/> 2 - STRAIGHT GRADE <input type="checkbox"/> 3 - CURVE LEVEL <input type="checkbox"/> 4 - CURVE GRADE <input type="checkbox"/> 9 - UNKNOWN	ROAD CONDITIONS PRIMARY <input checked="" type="checkbox"/> 01 SECONDARY <input type="checkbox"/>	01 - DRY 02 - WET 03 - SNOW 04 - ICE 05 - SAND, MUD, DIRT, OIL, GRAVEL 06 - WATER (STANDING, MOVING) 07 - SLUSH 08 - DEBRIS* 09 - RUT, HOLES, BUMPS, UNEVEN PAVEMENT* 10 - OTHER 99 - UNKNOWN	* SECONDARY CONDITION ONLY
---	---	---	----------------------------

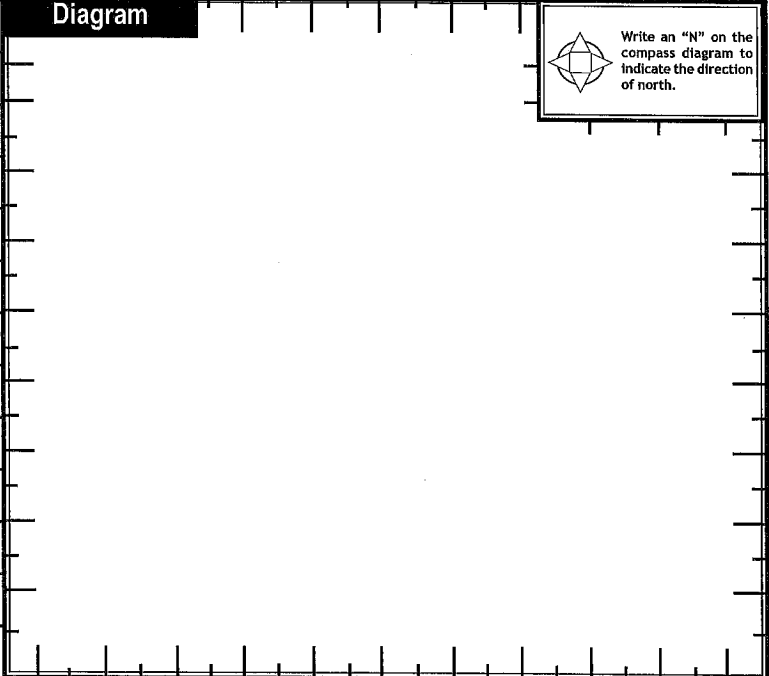
MANNER OF CRASH COLLISION/IMPACT <input checked="" type="checkbox"/> 1 - NOT COLLISION BETWEEN TWO MOTOR VEHICLES IN TRANSPORT <input type="checkbox"/> 2 - REAR-END <input type="checkbox"/> 3 - HEAD-ON <input type="checkbox"/> 4 - REAR-TO-REAR <input type="checkbox"/> 5 - BACKING <input type="checkbox"/> 6 - ANGLE <input type="checkbox"/> 7 - SIDESWIPE, SAME DIRECTION <input type="checkbox"/> 8 - SIDESWIPE, OPPOSITE DIRECTION <input type="checkbox"/> 9 - UNKNOWN	WEATHER <input checked="" type="checkbox"/> 1 - CLEAR <input type="checkbox"/> 2 - CLOUDY <input type="checkbox"/> 3 - FOG, SMOG, SMOKE <input type="checkbox"/> 4 - RAIN <input type="checkbox"/> 5 - SLEET, HAIL <input type="checkbox"/> 6 - SNOW <input type="checkbox"/> 7 - SEVERE CROSSWINDS <input type="checkbox"/> 8 - BLOWING SAND, SOIL, DIRT, SNOW <input type="checkbox"/> 9 - OTHER/UNKNOWN
---	---

ROAD SURFACE <input checked="" type="checkbox"/> 1 - CONCRETE <input type="checkbox"/> 2 - BLACKTOP, BITUMINOUS, ASPHALT <input type="checkbox"/> 3 - BRICK/BLOCK <input type="checkbox"/> 4 - SLAG, GRAVEL, STONE <input type="checkbox"/> 5 - DIRT <input type="checkbox"/> 6 - OTHER	LIGHT CONDITIONS PRIMARY <input checked="" type="checkbox"/> 01 SECONDARY <input type="checkbox"/>	1 - DAYLIGHT 2 - DAWN 3 - DUSK 4 - DARK - LIGHTED ROADWAY 5 - DARK - ROADWAY NOT LIGHTED 6 - DARK - UNKNOWN ROADWAY LIGHTING 7 - GLARE* 8 - OTHER 9 - UNKNOWN	<input type="checkbox"/> SCHOOL BUS RELATED <input type="checkbox"/> YES, SCHOOL BUS DIRECTLY INVOLVED <input type="checkbox"/> YES, SCHOOL BUS INDIRECTLY INVOLVED
---	--	---	---

<input type="checkbox"/> WORK ZONE RELATED <input type="checkbox"/> WORKERS PRESENT <input type="checkbox"/> LAW ENFORCEMENT PRESENT (OFFICER/VEHICLE) <input type="checkbox"/> LAW ENFORCEMENT PRESENT (VEHICLE ONLY)	TYPE OF WORK ZONE <input type="checkbox"/> 1 - LANE CLOSURE <input type="checkbox"/> 2 - LANE SHIFT/CROSSOVER <input type="checkbox"/> 3 - WORK ON SHOULDER OR MEDIAN <input type="checkbox"/> 4 - INTERMITTENT OR MOVING WORK <input type="checkbox"/> 5 - OTHER	LOCATION OF CRASH IN WORK ZONE <input type="checkbox"/> 1 - BEFORE THE FIRST WORK ZONE WARNING SIGN <input type="checkbox"/> 2 - ADVANCE WARNING AREA <input type="checkbox"/> 3 - TRANSITION AREA <input type="checkbox"/> 4 - ACTIVITY AREA <input type="checkbox"/> 5 - TERMINATION AREA
---	--	--

NARRATIVE

UNITS #1 AND #2 WERE STOPPED IN TRAFFIC ON WEST BOUND MASON MORROW RD. UNIT #2 BACKED UP TO AVOID A TRACTOR-TRAILER TURNING ONTO MASON MORROW RD. UNIT #2 STRUCK #1



REPORT TAKEN BY <input checked="" type="checkbox"/> POLICE AGENCY <input type="checkbox"/> MOTORIST	<input type="checkbox"/> SUPPLEMENT (CORRECTION OR ADDITION TO AN EXISTING REPORT SENT TO ODPS)	DATE CRASH REPORTED 09162016	TIME CRASH REPORTED 1540	DISPATCH TIME 1540	ARRIVAL TIME 1550	TIME CLEARED 1610	OTHER INVESTIGATION TIME 30	TOTAL MINUTES 50
OFFICER'S NAME * BRYANT	OFFICER'S BADGE NUMBER 55	CHECKED BY 50	PAGE OF					



MOTORIST / Non-MOTORIST / OCCUPANT

LOCAL REPORT NUMBER 16-31747

MOTORIST/Non-MOTORIST

MOTORIST/Non-MOTORIST

OCCUPANT

OCCUPANT

UNIT NUMBER <u>01</u>	NAME: LAST, FIRST, MIDDLE <u>BROWN, PATRICK K.</u>	DATE OF BIRTH <u>08/13/1989</u>	AGE <u>27</u>	GENDER <u>M</u> F - FEMALE M - MALE
--------------------------	---	------------------------------------	------------------	---

ADDRESS, CITY, STATE, ZIP <u>6005 CLEVELAND AVE HAMILTON OHIO 45013</u>	CONTACT PHONE- INCLUDE AREA CODE <u>513 502 3023</u>
--	---

INJURIES <u>1</u>	INJURED TAKEN BY <u>1</u>	EMS AGENCY	MEDICAL FACILITY INJURED TAKEN TO	SAFETY EQUIPMENT USED <u>08</u>	DOT COMPLIANT MOTORCYCLE HELMET <input type="checkbox"/>	SEATING POSITION <u>01</u>	AIR BAG USAGE <u>8</u>	EJECTION <u>1</u>	TRAPPED <u>1</u>
----------------------	------------------------------	------------	-----------------------------------	------------------------------------	---	-------------------------------	---------------------------	----------------------	---------------------

OL STATE <u>OH</u>	OPERATOR LICENSE NUMBER <u>SV537445</u>	OL CLASS <u>A</u>	No VALID OL <input type="checkbox"/>	M/C END. <input type="checkbox"/>	CONDITION <u>1</u>	ALCOHOL/DRUG SUSPECTED <u>1</u>	ALCOHOL TEST STATUS <u>1</u>	ALCOHOL TEST TYPE <u>1</u>	ALCOHOL TEST VALUE <u>0.000</u>	DRUG TEST STATUS <u>1</u>	DRUG TEST TYPE <u>1</u>
-----------------------	--	----------------------	---	--------------------------------------	-----------------------	------------------------------------	---------------------------------	-------------------------------	------------------------------------	------------------------------	----------------------------

OFFENSE CHARGED (<input type="checkbox"/> LOCAL CODE)	OFFENSE DESCRIPTION	CITATION NUMBER	HANDS-FREE DEVICE USED <input type="checkbox"/>	DRIVER DISTRACTED BY <u>1</u>
---	---------------------	-----------------	--	----------------------------------

UNIT NUMBER <u>02</u>	NAME: LAST, FIRST, MIDDLE <u>MOOKIAH, VENKATESH</u>	DATE OF BIRTH <u>11/22/1979</u>	AGE <u>45</u>	GENDER <u>M</u> F - FEMALE M - MALE
--------------------------	--	------------------------------------	------------------	---

ADDRESS, CITY, STATE, ZIP <u>5301 LITTLE TURTLE DR SOUTH LEANON OH 45065</u>	CONTACT PHONE- INCLUDE AREA CODE <u>513 703 8226</u>
---	---

INJURIES <u>1</u>	INJURED TAKEN BY <u>1</u>	EMS AGENCY	MEDICAL FACILITY INJURED TAKEN TO	SAFETY EQUIPMENT USED <u>04</u>	DOT COMPLIANT MOTORCYCLE HELMET <input type="checkbox"/>	SEATING POSITION <u>01</u>	AIR BAG USAGE <u>1</u>	EJECTION <u>1</u>	TRAPPED <u>1</u>
----------------------	------------------------------	------------	-----------------------------------	------------------------------------	---	-------------------------------	---------------------------	----------------------	---------------------

OL STATE <u>OH</u>	OPERATOR LICENSE NUMBER <u>SC071766</u>	OL CLASS <u>A</u>	No VALID OL <input type="checkbox"/>	M/C END. <input type="checkbox"/>	CONDITION <u>1</u>	ALCOHOL/DRUG SUSPECTED <u>1</u>	ALCOHOL TEST STATUS <u>1</u>	ALCOHOL TEST TYPE <u>1</u>	ALCOHOL TEST VALUE <u>0.000</u>	DRUG TEST STATUS <u>1</u>	DRUG TEST TYPE <u>1</u>
-----------------------	--	----------------------	---	--------------------------------------	-----------------------	------------------------------------	---------------------------------	-------------------------------	------------------------------------	------------------------------	----------------------------

OFFENSE CHARGED (<input type="checkbox"/> LOCAL CODE)	OFFENSE DESCRIPTION	CITATION NUMBER	HANDS-FREE DEVICE USED <input type="checkbox"/>	DRIVER DISTRACTED BY <u>1</u>
---	---------------------	-----------------	--	----------------------------------

INJURIES 1 - NO INJURY / NONE REPORTED 2 - POSSIBLE 3 - NON-INCAPACITATING 4 - INCAPACITATING 5 - FATAL	INJURED TAKEN BY 1 - NOT TRANSPORTED / TREATED AT SCENE 2 - EMS 3 - POLICE 4 - OTHER 9 - UNKNOWN	SAFETY EQUIPMENT USED MOTORIST 01 - NONE USED - VEHICLE OCCUPANT 02 - SHOULDER BELT ONLY USED 03 - LAP BELT ONLY USED 04 - SHOULDER AND LAP BELT USED 99 - UNKNOWN SAFETY EQUIPMENT	Non-MOTORIST 09 - NONE USED 10 - HELMET USED 11 - PROTECTIVE PADS USED (ELBOWS, KNEES, ETC)	12 - REFLECTIVE CLOTHING 13 - LIGHTING 14 - OTHER
--	---	---	--	---

SEATING POSITION 01 - FRONT - LEFT SIDE (MOTORCYCLE DRIVER) 02 - FRONT - MIDDLE 03 - FRONT - RIGHT SIDE 04 - SECOND - LEFT SIDE (MOTORCYCLE PASSENGER) 05 - SECOND - MIDDLE 06 - SECOND - RIGHT SIDE 07 - THIRD - LEFT SIDE (MOTORCYCLE SIDE CAR) 08 - THIRD - MIDDLE 09 - THIRD - RIGHT SIDE 10 - SLEEPER SECTION OF CAB (TRUCK) 11 - PASSENGER IN OTHER ENCLOSED CARGO AREA (NON-TRAILING UNIT SUCH AS A BUS, PICK-UP WITH CAP) 12 - PASSENGER IN UNENCLOSED CARGO AREA 13 - TRAILING UNIT 14 - RIDING ON VEHICLE EXTERIOR (NON-TRAILING UNIT) 15 - NON-MOTORIST 16 - OTHER 99 - UNKNOWN	AIR BAG USAGE 1 - NOT DEPLOYED 2 - DEPLOYED FRONT 3 - DEPLOYED SIDE 4 - DEPLOYED BOTH FRONT/SIDE 5 - NOT APPLICABLE 9 - DEPLOYMENT UNKNOWN
---	--

EJECTION 1 - NOT EJECTED 2 - TOTALLY EJECTED 3 - PARTIALLY EJECTED 4 - NOT APPLICABLE	TRAPPED 1 - NOT TRAPPED 2 - EXTRICATED BY MECHANICAL MEANS 3 - EXTRICATED BY NON-MECHANICAL MEANS	OPERATOR LICENSE CLASS 1 - CLASS A 2 - CLASS B 3 - CLASS C 4 - REGULAR CLASS (OHIO IS "D") 5 - MC/MOPED ONLY	CONDITION 1 - APPARENTLY NORMAL 2 - PHYSICAL IMPAIRMENT 3 - EMOTIONAL (DEPRESSED, ANGRY, DISTURBED) 4 - ILLNESS 5 - FELL ASLEEP, FAINTED, FATIGUED 6 - UNDER THE INFLUENCE OF MEDICATIONS, DRUGS, ALCOHOL 7 - OTHER	ALCOHOL/DRUG SUSPECTED 1 - NONE 2 - YES - ALCOHOL SUSPECTED 3 - YES - HBD NOT IMPAIRED 4 - YES - DRUGS SUSPECTED 5 - YES - ALCOHOL AND DRUGS SUSPECTED
---	--	---	--	---

ALCOHOL TEST STATUS 1 - NONE GIVEN 2 - TEST REFUSED 3 - TEST GIVEN, CONTAMINATED SAMPLE/UNUSABLE 4 - TEST GIVEN, RESULTS KNOWN 5 - TEST GIVEN, RESULTS UNKNOWN	ALCOHOL TEST TYPE 1 - NONE 2 - BLOOD 3 - URINE 4 - BREATH 5 - OTHER	DRUG TEST STATUS 1 - NONE GIVEN 2 - TEST REFUSED 3 - TEST GIVEN, CONTAMINATED SAMPLE/UNUSABLE 4 - TEST GIVEN, RESULTS KNOWN 5 - TEST GIVEN, RESULTS UNKNOWN	DRUG TEST TYPE 1 - NONE 2 - BLOOD 3 - URINE 4 - OTHER	DRIVER DISTRACTED BY 1 - NO DISTRACTION REPORTED 2 - PHONE 3 - TEXTING/E-MAILING 4 - ELECTRONIC COMMUNICATION DEVICE 5 - OTHER ELECTRONIC DEVICE (NAVIGATION DEVICE, RADIO, DVD) 6 - OTHER INSIDE THE VEHICLE 7 - EXTERNAL DISTRACTION
---	--	--	---	---

UNIT NUMBER <u> </u>	NAME: LAST, FIRST, MIDDLE <u> </u>	DATE OF BIRTH <u> </u>	AGE <u> </u>	GENDER <u> </u> F - FEMALE M - MALE
---------------------------	---	-----------------------------	-------------------	---

ADDRESS, CITY, STATE, ZIP <u> </u>	CONTACT PHONE- INCLUDE AREA CODE <u> </u>
---	--

INJURIES <u> </u>	INJURED TAKEN BY <u> </u>	EMS AGENCY	MEDICAL FACILITY INJURED TAKEN TO	SAFETY EQUIPMENT USED <u> </u>	DOT COMPLIANT MOTORCYCLE HELMET <input type="checkbox"/>	SEATING POSITION <u> </u>	AIR BAG USAGE <u> </u>	EJECTION <u> </u>	TRAPPED <u> </u>
------------------------	--------------------------------	------------	-----------------------------------	-------------------------------------	---	--------------------------------	-----------------------------	------------------------	-----------------------

UNIT NUMBER <u> </u>	NAME: LAST, FIRST, MIDDLE <u> </u>	DATE OF BIRTH <u> </u>	AGE <u> </u>	GENDER <u> </u> F - FEMALE M - MALE
---------------------------	---	-----------------------------	-------------------	---

ADDRESS, CITY, STATE, ZIP <u> </u>	CONTACT PHONE- INCLUDE AREA CODE <u> </u>
---	--

INJURIES <u> </u>	INJURED TAKEN BY <u> </u>	EMS AGENCY	MEDICAL FACILITY INJURED TAKEN TO	SAFETY EQUIPMENT USED <u> </u>	DOT COMPLIANT MOTORCYCLE HELMET <input type="checkbox"/>	SEATING POSITION <u> </u>	AIR BAG USAGE <u> </u>	EJECTION <u> </u>	TRAPPED <u> </u>
------------------------	--------------------------------	------------	-----------------------------------	-------------------------------------	---	--------------------------------	-----------------------------	------------------------	-----------------------



UNIT

LOCAL REPORT NUMBER 16-31747

UNIT NUMBER 01	OWNER NAME: LAST, FIRST, MIDDLE <input checked="" type="checkbox"/> SAME AS DRIVER	OWNER PHONE NUMBER - INC. AREA CODE <input checked="" type="checkbox"/> SAME AS DRIVER	DAMAGE SCALE 3	DAMAGED AREA
OWNER ADDRESS: CITY, STATE, ZIP <input checked="" type="checkbox"/> SAME AS DRIVER			1 - NONE	
LP STATE OH	LICENSE PLATE NUMBER 95TJM	VEHICLE IDENTIFICATION NUMBER JKAVN2B176A904519	2 - MINOR	
VEHICLE YEAR 2006	VEHICLE MAKE KAWASAKI	VEHICLE MODEL VULCAN	3 - FUNCTIONAL	
PROOF OF INSURANCE SHOWN <input checked="" type="checkbox"/>	INSURANCE COMPANY GEICO	POLICY NUMBER 4436422870	4 - DISABLING	
CARRIER NAME, ADDRESS, CITY, STATE, ZIP			9 - UNKNOWN	
			CARRIER PHONE- INCLUDE AREA CODE	

US DOT	VEHICLE WEIGHT GVWR/GCWR 1 1 - LESS THAN OR EQUAL TO 10K LBS. 2 - 10,001 TO 26,000 LBS. 3 - MORE THAN 26,000 LBS.	CARGO BODY TYPE 01 01 - NO CARGO BODY TYPE/NOT APPLICABLE 02 - BUS/VAN (9-15 SEATS, INC DRIVER) 03 - BUS (16+ SEATS, INC DRIVER) 04 - VEHICLE TOWING ANOTHER VEHICLE 05 - LOGGING 06 - INTERMODAL CONTAINER CHASSIS 07 - CARGO VAN/ENCLOSED BOX 08 - GRAIN, CHIPS, GRAVEL	TRAFFICWAY DESCRIPTION 1 1 - TWO-WAY, NOT DIVIDED 2 - TWO-WAY, NOT DIVIDED, CONTINUOUS LEFT TURN LANE 3 - TWO-WAY, DIVIDED, UNPROTECTED (PAINTED OR GRASS >4 FT.) MEDIAN 4 - TWO-WAY, DIVIDED, POSITIVE MEDIAN BARRIER 5 - ONE-WAY TRAFFICWAY
HM PLACARD ID NO.	<input type="checkbox"/> HAZARDOUS MATERIAL RELEASED	09 - POLE 10 - CARGO TANK 11 - FLAT BED 12 - DUMP 13 - CONCRETE MIXER 14 - AUTO TRANSPORTER 15 - GARBAGE/REFUSE 99 - OTHER/UNKNOWN	<input type="checkbox"/> HIT / SKIP UNIT
HM CLASS NUMBER			

NON-MOTORIST LOCATION PRIOR TO IMPACT 01 01 - INTERSECTION - MARKED CROSSWALK 02 - INTERSECTION - NO CROSSWALK 03 - INTERSECTION - OTHER 04 - MIDBLOCK - MARKED CROSSWALK 05 - TRAVEL LANE - OTHER LOCATION 06 - BICYCLE LANE 07 - SHOULDER/ROADSIDE 08 - SIDEWALK 09 - MEDIAN/CROSSING ISLAND 10 - DRIVEWAY ACCESS 11 - SHARED-USE PATH OR TRAIL 12 - NON-TRAFFICWAY AREA 99 - OTHER/UNKNOWN	TYPE OF USE 1 1 - PERSONAL 2 - COMMERCIAL 3 - GOVERNMENT <input type="checkbox"/> IN EMERGENCY RESPONSE	UNIT TYPE 09 PASSENGER VEHICLES (LESS THAN 9 PASSENGERS) 01 - SUB-COMPACT 02 - COMPACT 03 - MID SIZE 04 - FULL SIZE 05 - MINIVAN 06 - SPORT UTILITY VEHICLE 07 - PICKUP 08 - VAN 09 - MOTORCYCLE 10 - MOTORIZED BICYCLE 11 - SNOWMOBILE/ATV 12 - OTHER PASSENGER VEHICLE 99 - UNKNOWN OR HIT / SKIP	MED/HEAVY TRUCKS OR COMBO UNITS > 10K LBS 13 - SINGLE UNIT TRUCK OR VAN 2AXLE, 6 TIRES 14 - SINGLE UNIT TRUCK; 3+ AXLES 15 - SINGLE UNIT TRUCK / TRAILER 16 - TRUCK/TRACTOR (BOBTAIL) 17 - TRACTOR/SEMI-TRAILER 18 - TRACTOR/DOUBLE 19 - TRACTOR/TRIPLES 20 - OTHER MED/HEAVY VEHICLE	BUS/VAN/LIMO (9 OR MORE INCLUDING DRIVER) 21 - BUS/VAN (9-15 SEATS, INC DRIVER) 22 - BUS (16+ SEATS, INC DRIVER) NON-MOTORIST 23 - ANIMAL WITH RIDER 24 - ANIMAL WITH BUGGY, WAGON, SURREY 25 - BICYCLE/PEDALCYCLIST 26 - PEDESTRIAN/SKATER 27 - OTHER NON-MOTORIST
<input type="checkbox"/> HAS HM PLACARD				

SPECIAL FUNCTION 01 01 - NONE 02 - TAXI 03 - RENTAL TRUCK (OVER 10K LBS) 04 - BUS - SCHOOL (PUBLIC OR PRIVATE) 05 - BUS - TRANSIT 06 - BUS - CHARTER 07 - BUS - SHUTTLE 08 - BUS - OTHER 09 - AMBULANCE 10 - FIRE 11 - HIGHWAY/MAINTENANCE 12 - MILITARY 13 - POLICE 14 - PUBLIC UTILITY 15 - OTHER GOVERNMENT 16 - CONSTRUCTION EQUIP. 17 - FARM VEHICLE 18 - FARM EQUIPMENT 19 - MOTORHOME 20 - GOLF CART 21 - TRAIL 22 - OTHER (EXPLAIN IN NARRATIVE)	MOST DAMAGED AREA 09 01 - NONE 02 - CENTER FRONT 03 - RIGHT FRONT 04 - RIGHT SIDE 05 - RIGHT REAR 06 - REAR CENTER 07 - LEFT REAR 08 - LEFT SIDE 09 - LEFT FRONT 10 - TOP AND WINDOWS 11 - UNDERCARRIAGE 12 - LOAD/TRAILER 13 - TOTAL(ALL AREAS) 14 - OTHER	ACTION 4 1 - NON-CONTACT 2 - NON-COLLISION 3 - STRIKING 4 - STRUCK 5 - STRIKING/STRUCK 9 - UNKNOWN
--	---	--

PRE-CRASH ACTIONS 11 MOTORIST 01 - STRAIGHT AHEAD 02 - BACKING 03 - CHANGING LANES 04 - OVERTAKING/PASSING 05 - MAKING RIGHT TURN 06 - MAKING LEFT TURN 07 - MAKING U-TURN 08 - ENTERING TRAFFIC LANE 09 - LEAVING TRAFFIC LANE 10 - PARKED 11 - SLOWING OR STOPPED IN TRAFFIC 12 - DRIVERLESS 13 - NEGOTIATING A CURVE 14 - OTHER MOTORIST ACTION	NON-MOTORIST 15 - ENTERING OR CROSSING SPECIFIED LOCATION 16 - WALKING, RUNNING, JOGGING, PLAYING, CYCLING 17 - WORKING 18 - PUSHING VEHICLE 19 - APPROACHING OR LEAVING VEHICLE 20 - STANDING 21 - OTHER NON-MOTORIST ACTION
---	--

CONTRIBUTING CIRCUMSTANCES PRIMARY 01 01 - NONE 02 - FAILURE TO YIELD 03 - RAN RED LIGHT 04 - RAN STOP SIGN 05 - EXCEEDED SPEED LIMIT 06 - UNSAFE SPEED 07 - IMPROPER TURN 08 - LEFT OF CENTER 09 - FOLLOWED TOO CLOSELY/ACDA 10 - IMPROPER LANE CHANGE /PASSING/OFF ROAD SECONDARY 01 11 - IMPROPER BACKING 12 - IMPROPER START FROM PARKED POSITION 13 - STOPPED OR PARKED ILLEGALLY 14 - OPERATING VEHICLE IN NEGLIGENT MANNER 15 - SWERVING TO AVOID (DUE TO EXTERNAL CONDITIONS) 16 - WRONG SIDE/WRONG WAY 17 - FAILURE TO CONTROL 18 - VISION OBSTRUCTION 19 - OPERATING DEFECTIVE EQUIPMENT 20 - LOAD SHIFTING/FALLING/SPILLING 21 - OTHER IMPROPER ACTION	VEHICLE DEFECTS 01 01 - TURN SIGNALS 02 - HEAD LAMPS 03 - TAIL LAMPS 04 - BRAKES 05 - STEERING 06 - TIRE BLOWOUT 07 - WORN OR SLICK TIRES 08 - TRAILER EQUIPMENT DEFECTIVE 09 - MOTOR TROUBLE 10 - DISABLED FROM PRIOR ACCIDENT 11 - OTHER DEFECTS
--	---

SEQUENCE OF EVENTS 1 20 2 01 3 01 4 01 5 01 6 01 FIRST HARMFUL EVENT 1 MOST HARMFUL EVENT 1 99 - UNKNOWN	NON-COLLISION EVENTS 01 - OVERTURN/ROLLOVER 02 - FIRE/EXPLOSION 03 - IMMERSION 04 - JACKKNIFE 05 - CARGO/EQUIPMENT LOSS OR SHIFT 06 - EQUIPMENT FAILURE (BLOWN TIRE, BRAKE FAILURE, etc) 07 - SEPARATION OF UNITS 08 - RAN OFF ROAD RIGHT 09 - RAN OFF ROAD LEFT 10 - CROSS MEDIAN 11 - CROSS CENTER LINE OPPOSITE DIRECTION OF TRAVEL 12 - DOWNHILL RUNAWAY 13 - OTHER NON-COLLISION
COLLISION WITH PERSON, VEHICLE OR OBJECT NOT FIXED 14 - PEDESTRIAN 15 - PEDALCYCLE 16 - RAILWAY VEHICLE (TRAIN, ENGINE) 17 - ANIMAL - FARM 18 - ANIMAL - DEER 19 - ANIMAL - OTHER 20 - MOTOR VEHICLE IN TRANSPORT 21 - PARKED MOTOR VEHICLE 22 - WORK ZONE MAINTENANCE EQUIPMENT 23 - STRUCK BY FALLING, SHIFTING CARGO OR ANYTHING SET IN MOTION BY A MOTOR VEHICLE 24 - OTHER MOVABLE OBJECT	COLLISION WITH FIXED OBJECT 25 - IMPACT ATTENUATOR/CRASH CUSHION 26 - BRIDGE OVERHEAD STRUCTURE 27 - BRIDGE PIER OR ABUTMENT 28 - BRIDGE PARAPET 29 - BRIDGE RAIL 30 - GUARDRAIL FACE 31 - GUARDRAIL END 32 - PORTABLE BARRIER 33 - MEDIAN CABLE BARRIER 34 - MEDIAN GUARDRAIL BARRIER 35 - MEDIAN CONCRETE BARRIER 36 - MEDIAN OTHER BARRIER 37 - TRAFFIC SIGN POST 38 - OVERHEAD SIGN POST 39 - LIGHT/LUMINARIES SUPPORT 40 - UTILITY POLE 41 - OTHER POST, POLE OR SUPPORT 42 - CULVERT 43 - CURB 44 - DITCH 45 - EMBANKMENT 46 - FENCE 47 - MAILBOX 48 - TREE 49 - FIRE HYDRANT 50 - WORK ZONE MAINTENANCE EQUIPMENT 51 - WALL, BUILDING, TUNNEL 52 - OTHER FIXED OBJECT

UNIT SPEED 00 STATED <input checked="" type="checkbox"/> ESTIMATED <input type="checkbox"/>	POSTED SPEED 35	TRAFFIC CONTROL 12 01 - NO CONTROLS 02 - STOP SIGN 03 - YIELD SIGN 04 - TRAFFIC SIGNAL 05 - TRAFFIC FLASHERS 06 - SCHOOL ZONE 07 - RAILROAD CROSSBUCKS 08 - RAILROAD FLASHERS 09 - RAILROAD GATES 10 - CONSTRUCTION BARRICADE 11 - PERSON (FLAGGER, OFFICER) 12 - PAVEMENT MARKINGS 13 - CROSSWALK LINES 14 - WALK/DON'T WALK 15 - OTHER 16 - NOT REPORTED	UNIT DIRECTION FROM 3 TO 4 1 - NORTH 2 - SOUTH 3 - EAST 4 - WEST 5 - NORTHEAST 6 - NORTHWEST 7 - SOUTHEAST 8 - SOUTHWEST 9 - UNKNOWN
--	---------------------------	--	--



UNIT

LOCAL REPORT NUMBER **16-31747**

UNIT NUMBER 02	OWNER NAME: LAST, FIRST, MIDDLE <input checked="" type="checkbox"/> SAME AS DRIVER	OWNER PHONE NUMBER - INC. AREA CODE <input checked="" type="checkbox"/> SAME AS DRIVER	DAMAGE SCALE 2	DAMAGED AREA FRONT 09 02 03 08 10 04 07 06 07 REAR
OWNER ADDRESS: CITY, STATE, ZIP <input checked="" type="checkbox"/> SAME AS DRIVER			1 - NONE	
LP STATE OH	LICENSE PLATE NUMBER EFT 5793	VEHICLE IDENTIFICATION NUMBER JN8AZ08W87W6577111 01	2 - MINOR	
VEHICLE YEAR 2007	VEHICLE MAKE NISSAN	VEHICLE MODEL MURANO	3 - FUNCTIONAL	
PROOF OF INSURANCE SHOWN <input checked="" type="checkbox"/>	INSURANCE COMPANY AMERIPRISE	POLICY NUMBER A160705823	4 - DISABLING	
CARRIER NAME, ADDRESS, CITY, STATE, ZIP			9 - UNKNOWN	
			CARRIER PHONE- INCLUDE AREA CODE	

US DOT	VEHICLE WEIGHT GVWR/GCWR 1 1 - LESS THAN OR EQUAL TO 10K LBS. 2 - 10,001 TO 26,000 LBS. 3 - MORE THAN 26,000 LBS.	CARGO BODY TYPE 01 01 - NO CARGO BODY TYPE/NOT APPLICABLE 02 - BUS/VAN (9-15 SEATS, INC DRIVER) 03 - BUS (16+ SEATS, INC DRIVER) 04 - VEHICLE TOWING ANOTHER VEHICLE 05 - LOGGING 06 - INTERMODAL CONTAINER CHASSIS 07 - CARGO VAN/ENCLOSED BOX 08 - GRAIN, CHIPS, GRAVEL	TRAFFICWAY DESCRIPTION 1 1 - TWO-WAY, NOT DIVIDED 2 - TWO-WAY, NOT DIVIDED, CONTINUOUS LEFT TURN LANE 3 - TWO-WAY, DIVIDED, UNPROTECTED (PAINTED OR GRASS > 4 FT.) MEDIAN 4 - TWO-WAY, DIVIDED, POSITIVE MEDIAN BARRIER 5 - ONE-WAY TRAFFICWAY
HM PLACARD ID NO.	<input type="checkbox"/> HAZARDOUS MATERIAL RELEASED	09 - POLE 10 - CARGO TANK 11 - FLAT BED 12 - DUMP 13 - CONCRETE MIXER 14 - AUTO TRANSPORTER 15 - GARBAGE/REFUSE 16 - OTHER/UNKNOWN	<input type="checkbox"/> HIT / SKIP UNIT

NON-MOTORIST LOCATION PRIOR TO IMPACT 01 01 - INTERSECTION - MARKED CROSSWALK 02 - INTERSECTION - NO CROSSWALK 03 - INTERSECTION - OTHER 04 - MIDDLEBLOCK - MARKED CROSSWALK 05 - TRAVEL LANE - OTHER LOCATION 06 - BICYCLE LANE 07 - SHOULDER/ROADSIDE 08 - SIDEWALK 09 - MEDIAN/CROSSING ISLAND 10 - DRIVEWAY ACCESS 11 - SHARED-USE PATH OR TRAIL 12 - NON-TRAFFICWAY AREA 99 - OTHER/UNKNOWN	TYPE OF USE 1 1 - PERSONAL 2 - COMMERCIAL 3 - GOVERNMENT <input type="checkbox"/> IN EMERGENCY RESPONSE	UNIT TYPE 06 PASSENGER VEHICLES (LESS THAN 9 PASSENGERS) 01 - SUB-COMPACT 02 - COMPACT 03 - MID SIZE 04 - FULL SIZE 05 - MINIVAN 06 - SPORT UTILITY VEHICLE 07 - PICKUP 08 - VAN 09 - MOTORCYCLE 10 - MOTORIZED BICYCLE 11 - SNOWMOBILE/ATV 12 - OTHER PASSENGER VEHICLE	MED/HEAVY TRUCKS OR COMBO UNITS > 10K LBS 13 - SINGLE UNIT TRUCK OR VAN 2AXLE, 6 TIRES 14 - SINGLE UNIT TRUCK/ 3+ AXLES 15 - SINGLE UNIT TRUCK / TRAILER 16 - TRUCK/TRACTOR (BOBTAIL) 17 - TRACTOR/SEMI-TRAILER 18 - TRACTOR/DOUBLE 19 - TRACTOR/TRIPLES 20 - OTHER MED/HEAVY VEHICLE	BUS/VAN/LIMO (9 OR MORE INCLUDING DRIVER) 21 - BUS/VAN (9-15 SEATS, INC DRIVER) 22 - BUS (16+ SEATS, INC DRIVER) Non-Motorist 23 - ANIMAL WITH RIDER 24 - ANIMAL WITH BUGGY, WAGON, SURREY 25 - BICYCLE/PEDALCYCLIST 26 - PEDESTRIAN/SKATER 27 - OTHER NON-MOTORIST
			<input type="checkbox"/> HAS HM PLACARD	

SPECIAL FUNCTION 01 01 - NONE 02 - TAXI 03 - RENTAL TRUCK (OVER 10K LBS) 04 - BUS - SCHOOL (PUBLIC OR PRIVATE) 05 - BUS - TRANSIT 06 - BUS - CHARTER 07 - BUS - SHUTTLE 08 - BUS - OTHER	09 - AMBULANCE 10 - FIRE 11 - HIGHWAY/MAINTENANCE 12 - MILITARY 13 - POLICE 14 - PUBLIC UTILITY 15 - OTHER GOVERNMENT 16 - CONSTRUCTION EQUIP.	17 - FARM VEHICLE 18 - FARM EQUIPMENT 19 - MOTORHOME 20 - GOLF CART 21 - TRAIN 22 - OTHER (EXPLAIN IN NARRATIVE)	MOST DAMAGED AREA 05 01 - NONE 02 - CENTER FRONT 03 - RIGHT FRONT 04 - RIGHT SIDE 05 - RIGHT REAR 06 - REAR CENTER 07 - LEFT REAR	08 - LEFT SIDE 09 - LEFT FRONT 10 - TOP AND WINDOWS 11 - UNDERCARRIAGE 12 - LOAD/TRAILER 13 - TOTAL(ALL AREAS) 14 - OTHER	ACTION 3 1 - NON-CONTACT 2 - NON-COLLISION 3 - STRIKING 4 - STRUCK 5 - STRIKING/STRUCK 9 - UNKNOWN
--	---	---	--	---	--

PRE-CRASH ACTIONS 02 01 - STRAIGHT AHEAD 02 - BACKING 03 - CHANGING LANES 04 - OVERTAKING/PASSING 05 - MAKING RIGHT TURN 06 - MAKING LEFT TURN 99 - UNKNOWN	MOTORIST 07 - MAKING U-TURN 08 - ENTERING TRAFFIC LANE 09 - LEAVING TRAFFIC LANE 10 - PARKED 11 - SLOWING OR STOPPED IN TRAFFIC 12 - DRIVERLESS	13 - NEGOTIATING A CURVE 14 - OTHER MOTORIST ACTION	NON-MOTORIST 15 - ENTERING OR CROSSING SPECIFIED LOCATION 16 - WALKING, RUNNING, JOGGING, PLAYING, CYCLING 17 - WORKING 18 - PUSHING VEHICLE 19 - APPROACHING OR LEAVING VEHICLE 20 - STANDING 21 - OTHER NON-MOTORIST ACTION
--	---	--	--

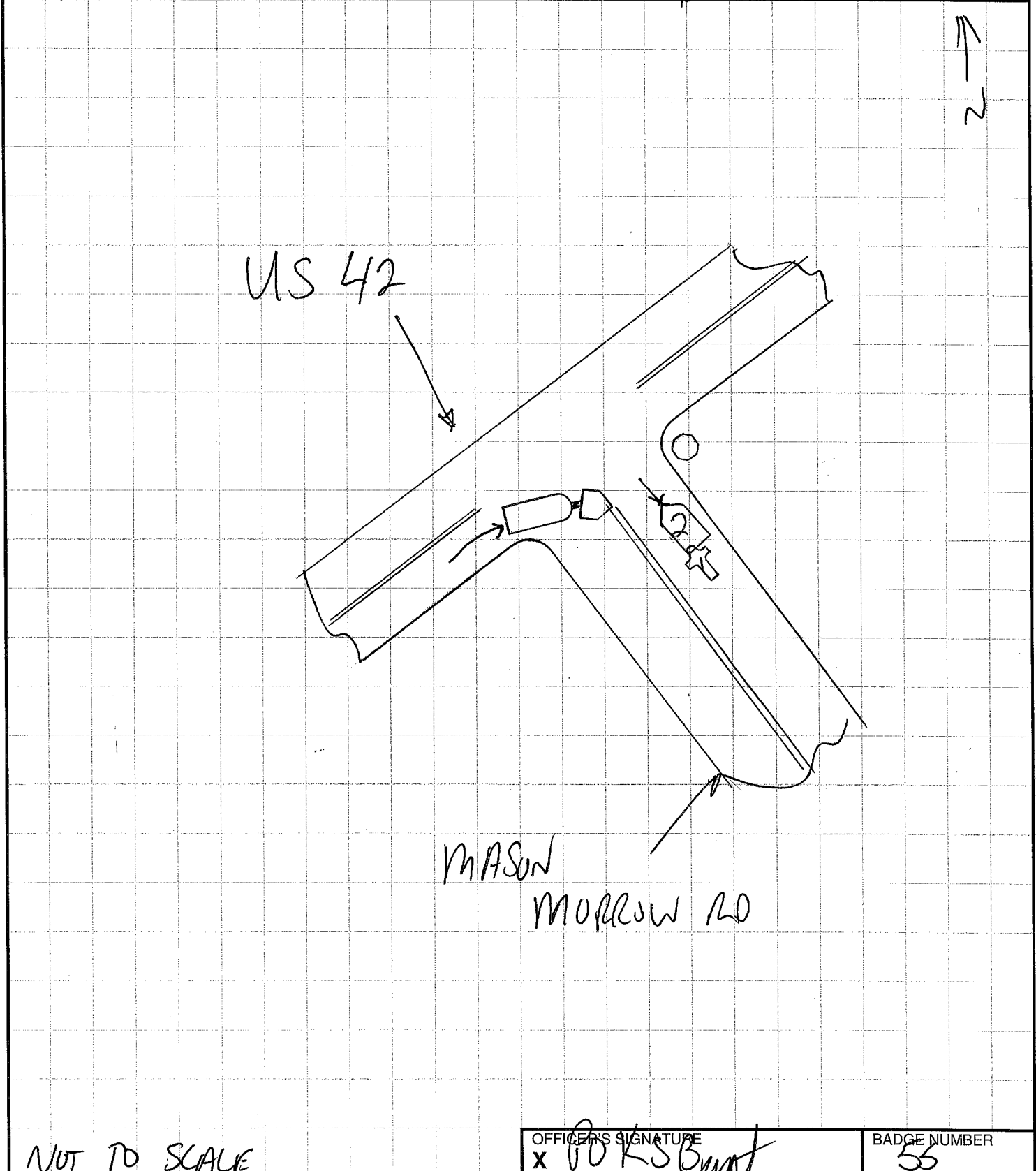
CONTRIBUTING CIRCUMSTANCES PRIMARY 11 01 - NONE 02 - FAILURE TO YIELD 03 - RAN RED LIGHT 04 - RAN STOP SIGN 05 - EXCEEDED SPEED LIMIT 06 - UNSAFE SPEED 07 - IMPROPER TURN 08 - LEFT OF CENTER 09 - FOLLOWED TOO CLOSELY/ACDA 10 - IMPROPER LANE CHANGE /PASSING/OFF ROAD	MOTORIST 11 - IMPROPER BACKING 12 - IMPROPER START FROM PARKED POSITION 13 - STOPPED OR PARKED ILLEGALLY 14 - OPERATING VEHICLE IN NEGLIGENT MANNER 15 - SWERVING TO AVOID (DUE TO EXTERNAL CONDITIONS) 16 - WRONG SIDE/WRONG WAY 17 - FAILURE TO CONTROL 18 - VISION OBSTRUCTION 19 - OPERATING DEFECTIVE EQUIPMENT 20 - LOAD SHIFTING/FALLING/SPILLING 21 - OTHER IMPROPER ACTION	NON-MOTORIST 22 - NONE 23 - IMPROPER CROSSING 24 - DARTING 25 - LYING AND/OR ILLEGALLY IN ROADWAY 26 - FAILURE TO YIELD RIGHT OF WAY 27 - NOT VISIBLE (DARK CLOTHING) 28 - INATTENTIVE 29 - FAILURE TO OBEY TRAFFIC SIGNS /SIGNALS/OFFICER 30 - WRONG SIDE OF THE ROAD 31 - OTHER NON-MOTORIST ACTION	VEHICLE DEFECTS 11 01 - TURN SIGNALS 02 - HEAD LAMPS 03 - TAIL LAMPS 04 - BRAKES 05 - STEERING 06 - TIRE BLOWOUT 07 - WORN OR SLICK TIRES 08 - TRAILER EQUIPMENT DEFECTIVE 09 - MOTOR TROUBLE 10 - DISABLED FROM PRIOR ACCIDENT 11 - OTHER DEFECTS
--	--	---	---

SEQUENCE OF EVENTS 1 20 2 00 3 00 4 00 5 00 6 00 FIRST HARMFUL EVENT 11 MOST HARMFUL EVENT 11 99 - UNKNOWN	Non-Collision Events 01 - OVERTURN/ROLLOVER 02 - FIRE/EXPLOSION 03 - IMMERSION 04 - JACKKNIFE 05 - CARGO/EQUIPMENT LOSS OR SHIFT 06 - EQUIPMENT FAILURE (BLOWN TIRE, BRAKE FAILURE, ETC) 07 - SEPARATION OF UNITS 08 - RAN OFF ROAD RIGHT 09 - RAN OFF ROAD LEFT 10 - CROSS MEDIAN 11 - CROSS CENTER LINE OPPOSITE DIRECTION OF TRAVEL 12 - DOWNHILL RUNAWAY 13 - OTHER NON-COLLISION	Collision With Fixed Object 25 - IMPACT ATTENUATOR/CRASH CUSHION 26 - BRIDGE OVERHEAD STRUCTURE 27 - BRIDGE PIER OR ABUTMENT 28 - BRIDGE PARAPET 29 - BRIDGE RAIL 30 - GUARDRAIL FACE 31 - GUARDRAIL END 32 - PORTABLE BARRIER 33 - MEDIAN CABLE BARRIER 34 - MEDIAN CARGO RAIL BARRIER 35 - MEDIAN CONCRETE BARRIER 36 - MEDIAN OTHER BARRIER 37 - TRAFFIC SIGN POST 38 - OVERHEAD SIGN POST 39 - LIGHT/LUMINARIES SUPPORT 40 - UTILITY POLE 41 - OTHER POST, POLE OR SUPPORT 42 - CULVERT 43 - CURB 44 - DITCH 45 - EMBANKMENT 46 - FENCE 47 - MAILBOX 48 - TREE 49 - FIRE HYDRANT 50 - WORK ZONE MAINTENANCE EQUIPMENT 51 - WALL, BUILDING, TUNNEL 52 - OTHER FIXED OBJECT
---	---	---

UNIT SPEED 2 <input checked="" type="checkbox"/> STATED <input type="checkbox"/> ESTIMATED	POSTED SPEED 35	TRAFFIC CONTROL 12 01 - NO CONTROLS 02 - STOP SIGN 03 - YIELD SIGN 04 - TRAFFIC SIGNAL 05 - TRAFFIC FLASHERS 06 - SCHOOL ZONE 07 - RAILROAD CROSSBUCKS 08 - RAILROAD FLASHERS 09 - RAILROAD GATES 10 - CONSTRUCTION BARRICADE 11 - PERSON (FLAGGER, OFFICER) 12 - PAVEMENT MARKINGS 13 - CROSSWALK LINES 14 - WALK/DON'T WALK 15 - OTHER 16 - NOT REPORTED	UNIT DIRECTION FROM 4 TO 3 1 - NORTH 2 - SOUTH 3 - EAST 4 - WEST 5 - NORTHEAST 6 - NORTHWEST 7 - SOUTHEAST 8 - SOUTHWEST 9 - UNKNOWN
--	---------------------------	--	--



LOCAL REPORT NUMBER 16-31747	REPORTING AGENCY MASON POLICE	DATE OF CRASH M 09 D 16 Y 16
IN COUNTY OF WARREN	CRASH LOCATION MASON MORROW RD	



OFFICER'S SIGNATURE X [Signature]	BADGE NUMBER 55
--------------------------------------	--------------------



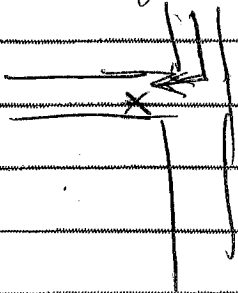
LOCAL REPORT NUMBER 16-31747	REPORTING AGENCY MASON POLICE	DATE OF CRASH M 09 D 16 Y 16
--	---	--

FOR LOCAL USE ONLY - DO NOT SUBMIT TO THE STATE EXCEPT FOR FATAL CRASHES

I, **VENKA PESH MOOKIAH** HEREBY MAKE THIS VOLUNTARY STATEMENT TO
PRINTED

P.O. K. S. BRYANT AT **CRASH SCENE**
OFFICER'S NAME LOCATION

Was going on a 2 lane road (speed limit 35) and I was on a stop sign to make a turn to left & a semi was trying to turn



* My car at stop sign
 ← semi turning right

The lane was narrow so I have to back up to provide some space for semi to turn & i couldn't see the bike from my mirrors so my back bumper hit the side of the bike (minor) & the side bar of the bike bent with some scratches

Q. WERE YOU, OR ANYONE IN YOUR VEHICLE INJURED? **NO**

Q. WERE YOU WEARING YOUR SEAT BELT? **YES**

Q. WHAT DIRECTION WERE YOU GOING?

Q. WHAT WAS YOUR SPEED? **2 MPH**

Q. WERE YOU USING A CELL PHONE AT THE TIME OF THE CRASH? **NO**

ADDRESS OF WITNESS

SIGNATURE OF WITNESS **X** **h. b.**

OFFICER'S SIGNATURE **X** **P.O. K. S. Bryant**

PHONE **513 703 8226**



LOCAL REPORT NUMBER <i>16-31747</i>	REPORTING AGENCY MASON POLICE	DATE OF CRASH <i>M 09 / D 16 / Y 16</i>
--	---	--

FOR LOCAL USE ONLY - DO NOT SUBMIT TO THE STATE EXCEPT FOR FATAL CRASHES

I, *Patrick K Brown* HEREBY MAKE THIS VOLUNTARY STATEMENT TO
PRINTED

P.O. K. S. BRYANT AT *U.S. 42 / Mason Morrow Hillgrove*
OFFICER'S NAME LOCATION

I was behind other vehicle at a stop sign. A Semi TRUCK came from left to turn our direction the other driver backed up to get out of the way & backed in to my motorcycle causing damage.

Q. WERE YOU, OR ANYONE IN YOUR VEHICLE INJURED? *No*

Q. WERE YOU WEARING YOUR SEAT BELT? *motorcycle had on helmet*

Q. WHAT DIRECTION WERE YOU GOING? *West*

Q. WHAT WAS YOUR SPEED? *0*

Q. WERE YOU USING A CELL PHONE AT THE TIME OF THE CRASH? *No*

ADDRESS OF WITNESS <i>605 Cleveland ave hamilton, OH 45013</i>	PHONE <i>513-502-3023</i>
SIGNATURE OF WITNESS <i>X [Signature]</i>	OFFICER'S SIGNATURE <i>X P.O. K.S. Bryant</i>