



# TRAFFIC CRASH REPORT

LOCAL REPORT NUMBER \*

201600

CRASH SEVERITY

3  
1 - FATAL  
2 - INJURY  
3 - PDO

Hit/Skip

1 - SOLVED  
2 - UNSOLVED

LOCAL INFORMATION

<input type="checkbox"/> PHOTOS TAKEN <input checked="" type="checkbox"/> OH-2 <input type="checkbox"/> OH-1P <input type="checkbox"/> OH-3 <input type="checkbox"/> OTHER	<input type="checkbox"/> PDO UNDER STATE REPORTABLE DOLLAR AMOUNT	<input type="checkbox"/> PRIVATE PROPERTY	REPORTING AGENCY NCIC * 08304	REPORTING AGENCY NAME * MASON POLICE	NUMBER OF UNITS 02	UNIT IN ERROR 02	98 - ANIMAL 99 - UNKNOWN
--	---	---	----------------------------------	---	-----------------------	---------------------	-----------------------------

COUNTY * 83	<input checked="" type="checkbox"/> CITY * <input type="checkbox"/> VILLAGE * <input type="checkbox"/> TOWNSHIP *	CITY, VILLAGE, TOWNSHIP * MASON	CRASH DATE * 05232016	TIME OF CRASH 0645	DAY OF WEEK MON
----------------	---	------------------------------------	--------------------------	-----------------------	--------------------

DEGREES / MINUTES / SECONDS	LATITUDE 39° 22' 32.41"	LONGITUDE -84° 16' 54.74"	OR	DECIMAL DEGREES	LATITUDE 39.375671	LONGITUDE 84.281873
-----------------------------	----------------------------	------------------------------	----	-----------------	-----------------------	------------------------

ROADWAY DIVISION <input checked="" type="checkbox"/> DIVIDED <input type="checkbox"/> UNDIVIDED	DIVIDED LANE DIRECTION OF TRAVEL N - NORTHBOUND E - EASTBOUND S - SOUTHBOUND W - WESTBOUND	NUMBER OF THRU LANES 02	ROAD TYPES OR MILEPOST <sup>2</sup> AL - ALLEY CR - CIRCLE HE - HEIGHTS MP - MILEPOST AV - AVENUE CT - COURT HW - HIGHWAY PK - PARKWAY PL - PLACE BL - BOULEVARD DR - DRIVE LA - LANE PI - PIKE RD - ROAD SQ - SQUARE ST - STREET TE - TERRACE TL - TRAIL
---	--	----------------------------	---

LOCATION ROUTE TYPE <sup>1</sup>	LOCATION ROUTE NUMBER	LOC PREFIX N, S, E, W	LOCATION ROAD NAME BETHANY	LOCATION ROAD TYPE <sup>2</sup> RD	ROUTE TYPES <sup>1</sup> IR - INTERSTATE ROUTE (INC. TURNPIKE) US - US ROUTE SR - STATE ROUTE
----------------------------------	-----------------------	--------------------------	-------------------------------	---------------------------------------	--

DISTANCE FROM REFERENCE 100	DIR FROM REF N, S, E, W	REFERENCE ROUTE NUMBER 42	REF PREFIX N, S, E, W	REFERENCE NAME (ROAD, MILEPOST, HOUSE #)	REFERENCE ROAD TYPE <sup>2</sup>
--------------------------------	----------------------------	------------------------------	--------------------------	--	----------------------------------

REFERENCE POINT USED 1 - INTERSECTION 2 - MILE POST 3 - HOUSE NUMBER	CRASH LOCATION 01	01 - NOT AN INTERSECTION 02 - FOUR-WAY INTERSECTION 03 - T-INTERSECTION 04 - Y-INTERSECTION 05 - TRAFFIC CIRCLE/ROUNDABOUT	06 - FIVE-POINT, OR MORE 07 - ON RAMP 08 - OFF RAMP 09 - CROSSOVER 10 - DRIVEWAY/ALLEY ACCESS	11 - RAILWAY GRADE CROSSING 12 - SHARED-USE PATHS OR TRAILS 99 - UNKNOWN	<input type="checkbox"/> INTERSECTION RELATED	LOCATION OF FIRST HARMFUL EVENT 1 - ON ROADWAY 2 - ON SHOULDER 3 - IN MEDIAN 4 - ON ROADSIDE 5 - ON GORE 6 - OUTSIDE TRAFFICWAY 9 - UNKNOWN
---	----------------------	--	---	--	---	--

ROAD CONTOUR 1 - STRAIGHT LEVEL 2 - STRAIGHT GRADE 3 - CURVE LEVEL 4 - CURVE GRADE 9 - UNKNOWN	ROAD CONDITIONS PRIMARY SECONDARY	01 - DRY 02 - WET 03 - SNOW 04 - ICE 05 - SAND, MUD, DIRT, OIL, GRAVEL 06 - WATER (STANDING, MOVING) 07 - SLUSH 08 - DEBRIS* 09 - RUT, HOLES, BUMPS, UNEVEN PAVEMENT* 10 - OTHER 99 - UNKNOWN	* SECONDARY CONDITION ONLY
---	---	---	----------------------------

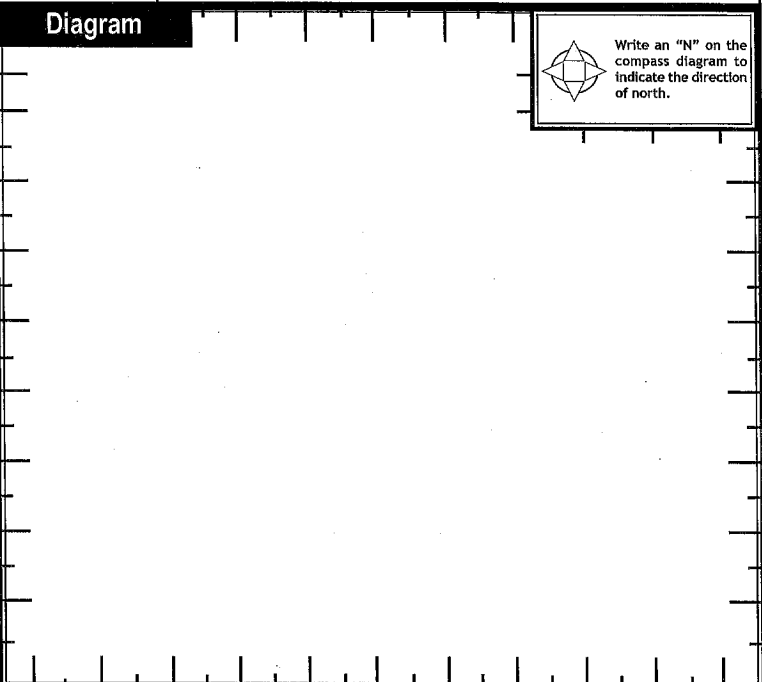
MANNER OF CRASH COLLISION/IMPACT 2 1 - NOT COLLISION BETWEEN TWO MOTOR VEHICLES IN TRANSPORT 2 - REAR-END 3 - HEAD-ON 4 - REAR-TO-REAR 5 - BACKING 6 - ANGLE 7 - SIDESWIPE, SAME DIRECTION 8 - SIDESWIPE, OPPOSITE DIRECTION 9 - UNKNOWN	WEATHER 1 1 - CLEAR 2 - CLOUDY 3 - FOG, SMOG, SMOKE 4 - RAIN 5 - SLEET, HAIL 6 - SNOW 7 - SEVERE CROSSWINDS 8 - BLOWING SAND, SOIL, DIRT, SNOW 9 - OTHER/UNKNOWN
--	--

ROAD SURFACE 2 1 - CONCRETE 2 - BLACKTOP, BITUMINOUS, ASPHALT 3 - BRICK/BLOCK 4 - SLAG, GRAVEL, STONE 5 - DIRT 6 - OTHER	LIGHT CONDITIONS 1 PRIMARY SECONDARY	1 - DAYLIGHT 2 - DAWN 3 - DUSK 4 - DARK - LIGHTED ROADWAY 5 - DARK - ROADWAY NOT LIGHTED 6 - DARK - UNKNOWN ROADWAY LIGHTING 7 - GLARE* 8 - OTHER 9 - UNKNOWN	<input type="checkbox"/> SCHOOL BUS RELATED <input type="checkbox"/> SCHOOL ZONE RELATED <input type="checkbox"/> YES, SCHOOL BUS DIRECTLY INVOLVED <input type="checkbox"/> YES, SCHOOL BUS INDIRECTLY INVOLVED
---	---	---	---

<input type="checkbox"/> WORK ZONE RELATED	<input type="checkbox"/> WORKERS PRESENT <input type="checkbox"/> LAW ENFORCEMENT PRESENT (OFFICER/VEHICLE) <input type="checkbox"/> LAW ENFORCEMENT PRESENT (VEHICLE ONLY)	TYPE OF WORK ZONE 1 - LANE CLOSURE 2 - LANE SHIFT/CROSSOVER 3 - WORK ON SHOULDER OR MEDIAN 4 - INTERMITTENT OR MOVING WORK 5 - OTHER	LOCATION OF CRASH IN WORK ZONE 1 - BEFORE THE FIRST WORK ZONE WARNING SIGN 2 - ADVANCE WARNING AREA 3 - TRANSITION AREA 4 - ACTIVITY AREA 5 - TERMINATION AREA
--	---	---	---

NARRATIVE

UNITS #1 AND #2 WERE EASTBOUND ON BETHANY RD. UNIT #1 WAS STOPPED IN TRAFFIC WHEN IT WAS STRUCK FROM BEHIND BY #2. UNIT #1 THE LEFT THE SCENE.



REPORT TAKEN BY <input checked="" type="checkbox"/> POLICE AGENCY <input type="checkbox"/> MOTORIST	<input type="checkbox"/> SUPPLEMENT (CORRECTION OR ADDITION TO AN EXISTING REPORT SENT TO ODDS)	DATE CRASH REPORTED 05232016	TIME CRASH REPORTED 0658	DISPATCH TIME 0658	ARRIVAL TIME 0708	TIME CLEARED 0718	OTHER INVESTIGATION TIME 30	TOTAL MINUTES 40
OFFICER'S NAME * BRYANT	OFFICER'S BADGE NUMBER 55	CHECKED BY 50	PAGE OF					



# MOTORIST / Non-MOTORIST / OCCUPANT

LOCAL REPORT NUMBER

UNIT NUMBER <b>91</b>	NAME: LAST, FIRST, MIDDLE	DATE OF BIRTH	AGE	GENDER <input type="checkbox"/> F - FEMALE <input type="checkbox"/> M - MALE
ADDRESS, CITY, STATE, ZIP			CONTACT PHONE- INCLUDE AREA CODE	
INJURIES <input type="checkbox"/>	INJURED TAKEN BY <input type="checkbox"/>	EMS AGENCY	MEDICAL FACILITY INJURED TAKEN TO	SAFETY EQUIPMENT USED <b>99</b>
OL STATE	OPERATOR LICENSE NUMBER	OL CLASS	ALCOHOL/DRUG SUSPECTED	ALCOHOL TEST STATUS
OFFENSE CHARGED ( <input type="checkbox"/> LOCAL CODE )		OFFENSE DESCRIPTION		CITATION NUMBER
			HANDS-FREE <input type="checkbox"/> DEVICE USED	DRIVER DISTRACTED BY <input type="checkbox"/>

UNIT NUMBER <b>02</b>	NAME: LAST, FIRST, MIDDLE <b>KIRSCH, THOMAS M.</b>	DATE OF BIRTH <b>11/01/51/1996</b>	AGE <b>19</b>	GENDER <input checked="" type="checkbox"/> M - MALE
ADDRESS, CITY, STATE, ZIP <b>4000 FREEMAN AVE HAMILTON OHIO 45015</b>			CONTACT PHONE- INCLUDE AREA CODE <b>513 345 0008</b>	
INJURIES <input type="checkbox"/>	INJURED TAKEN BY <input type="checkbox"/>	EMS AGENCY	MEDICAL FACILITY INJURED TAKEN TO	SAFETY EQUIPMENT USED <b>04</b>
OL STATE <b>OH</b>	OPERATOR LICENSE NUMBER <b>UB092650</b>	OL CLASS <b>H</b>	ALCOHOL/DRUG SUSPECTED	ALCOHOL TEST STATUS
OFFENSE CHARGED ( <input type="checkbox"/> LOCAL CODE )		OFFENSE DESCRIPTION		CITATION NUMBER
			HANDS-FREE <input type="checkbox"/> DEVICE USED	DRIVER DISTRACTED BY <input type="checkbox"/>

INJURIES 1 - NO INJURY / NONE REPORTED 2 - POSSIBLE 3 - NON-INCAPACITATING 4 - INCAPACITATING 5 - FATAL	INJURED TAKEN BY 1 - NOT TRANSPORTED / TREATED AT SCENE 2 - EMS 3 - POLICE 4 - OTHER 9 - UNKNOWN	SAFETY EQUIPMENT USED MOTORIST 01 - NONE USED - VEHICLE OCCUPANT 02 - SHOULDER BELT ONLY USED 03 - LAP BELT ONLY USED 04 - SHOULDER AND LAP BELT USED 99 - UNKNOWN SAFETY EQUIPMENT	Non-MOTORIST 09 - NONE USED 10 - HELMET USED 11 - PROTECTIVE PADS USED (ELBOWS, KNEES, ETC)	12 - REFLECTIVE CLOTHING 13 - LIGHTING 14 - OTHER
SEATING POSITION 01 - FRONT - LEFT SIDE (MOTORCYCLE DRIVER) 02 - FRONT - MIDDLE 03 - FRONT - RIGHT SIDE 04 - SECOND - LEFT SIDE (MOTORCYCLE PASSENGER) 05 - SECOND - MIDDLE 06 - SECOND - RIGHT SIDE 07 - THIRD - LEFT SIDE (MOTORCYCLE SIDE CAR) 08 - THIRD - MIDDLE 09 - THIRD - RIGHT SIDE 10 - SLEEPER SECTION OF CAB (TRUCK) 11 - PASSENGER IN OTHER ENCLOSED CARGO AREA (NON-TRAILING UNIT SUCH AS A BUS, PICK-UP WITH CAP)		AIR BAG USAGE 1 - NOT DEPLOYED 2 - DEPLOYED FRONT 3 - DEPLOYED SIDE 4 - DEPLOYED BOTH FRONT/SIDE 5 - NOT APPLICABLE 9 - DEPLOYMENT UNKNOWN		
EJECTION 1 - NOT EJECTED 2 - TOTALLY EJECTED 3 - PARTIALLY EJECTED 4 - NOT APPLICABLE	TRAPPED 1 - NOT TRAPPED 2 - EXTRICATED BY MECHANICAL MEANS 3 - EXTRICATED BY NON-MECHANICAL MEANS	OPERATOR LICENSE CLASS 1 - CLASS A 2 - CLASS B 3 - CLASS C 4 - REGULAR CLASS (OHIO IS "D") 5 - MC/MOPEE ONLY	CONDITION 1 - APPARENTLY NORMAL 2 - PHYSICAL IMPAIRMENT 3 - EMOTIONAL (DEPRESSED, ANGRY, DISTURBED) 4 - ILLNESS	ALCOHOL/DRUG SUSPECTED 1 - NONE 2 - YES - ALCOHOL SUSPECTED 3 - YES - HBD NOT IMPAIRED 4 - YES - DRUGS SUSPECTED 5 - YES - ALCOHOL AND DRUGS SUSPECTED
ALCOHOL TEST STATUS 1 - NONE GIVEN 2 - TEST REFUSED 3 - TEST GIVEN, CONTAMINATED SAMPLE/UNUSABLE 4 - TEST GIVEN, RESULTS KNOWN 5 - TEST GIVEN, RESULTS UNKNOWN	ALCOHOL TEST TYPE 1 - NONE 2 - BLOOD 3 - URINE 4 - BREATH 5 - OTHER	DRUG TEST STATUS 1 - NONE GIVEN 2 - TEST REFUSED 3 - TEST GIVEN, CONTAMINATED SAMPLE/UNUSABLE 4 - TEST GIVEN, RESULTS KNOWN 5 - TEST GIVEN, RESULTS UNKNOWN	DRUG TEST TYPE 1 - NONE 2 - BLOOD 3 - URINE 4 - OTHER	DRIVER DISTRACTED BY 1 - NO DISTRACTION REPORTED 2 - PHONE 3 - TEXTING/E-MAILING 4 - ELECTRONIC COMMUNICATION DEVICE 5 - OTHER ELECTRONIC DEVICE (NAVIGATION DEVICE, RADIO, DVD) 6 - OTHER INSIDE THE VEHICLE 7 - EXTERNAL DISTRACTION

UNIT NUMBER	NAME: LAST, FIRST, MIDDLE	DATE OF BIRTH	AGE	GENDER <input type="checkbox"/> F - FEMALE <input type="checkbox"/> M - MALE
ADDRESS, CITY, STATE, ZIP			CONTACT PHONE- INCLUDE AREA CODE	
INJURIES <input type="checkbox"/>	INJURED TAKEN BY <input type="checkbox"/>	EMS AGENCY	MEDICAL FACILITY INJURED TAKEN TO	SAFETY EQUIPMENT USED
OL STATE	OPERATOR LICENSE NUMBER	OL CLASS	ALCOHOL/DRUG SUSPECTED	ALCOHOL TEST STATUS
OFFENSE CHARGED ( <input type="checkbox"/> LOCAL CODE )		OFFENSE DESCRIPTION		CITATION NUMBER
			HANDS-FREE <input type="checkbox"/> DEVICE USED	DRIVER DISTRACTED BY <input type="checkbox"/>



# UNIT

LOCAL REPORT NUMBER

UNIT NUMBER <b>01</b>	OWNER NAME: LAST, FIRST, MIDDLE ( <input type="checkbox"/> SAME AS DRIVER )	OWNER PHONE NUMBER - INC. AREA CODE ( <input type="checkbox"/> SAME AS DRIVER )	DAMAGE SCALE <b>9</b>	DAMAGED AREA FRONT 02 03 04 05 06 07 08 09 REAR
OWNER ADDRESS: CITY, STATE, ZIP ( <input type="checkbox"/> SAME AS DRIVER )			1 - NONE 2 - MINOR 3 - FUNCTIONAL 4 - DISABLING 9 - UNKNOWN	
LP STATE	LICENSE PLATE NUMBER	VEHICLE IDENTIFICATION NUMBER	# OCCUPANTS <b>01</b>	
VEHICLE YEAR	VEHICLE MAKE	VEHICLE MODEL	VEHICLE COLOR <b>WHITE</b>	
<input type="checkbox"/> PROOF OF INSURANCE SHOWN	INSURANCE COMPANY	POLICY NUMBER	TOWED BY	
CARRIER NAME, ADDRESS, CITY, STATE, ZIP			CARRIER PHONE- INCLUDE AREA CODE	

US DOT	VEHICLE WEIGHT GVWR/GCWR <b>3</b> 1 - LESS THAN OR EQUAL TO 10K LBS. 2 - 10,001 TO 26,000 LBS. 3 - MORE THAN 26,000 LBS.	CARGO BODY TYPE <b>13</b> 01 - NO CARGO BODY TYPE/NOT APPLICABLE 02 - BUS/VAN (9-15 SEATS, INC DRIVER) 03 - BUS (16+ SEATS, INC DRIVER) 04 - VEHICLE TOWING ANOTHER VEHICLE 05 - LOGGING 06 - INTERMODAL CONTAINER CHASSIS 07 - CARGO VAN/ENCLOSED BOX 08 - GRAIN, CHIPS, GRAVEL 09 - POLE 10 - CARGO TANK 11 - FLAT BED 12 - DUMP 13 - CONCRETE MIXER 14 - AUTO TRANSPORTER 15 - GARBAGE/REFUSE 99 - OTHER/UNKNOWN	TRAFFICWAY DESCRIPTION <b>1</b> 1 - TWO-WAY, NOT DIVIDED 2 - TWO-WAY, NOT DIVIDED, CONTINUOUS LEFT TURN LANE 3 - TWO-WAY, DIVIDED, UNPROTECTED (PAINTED OR GRASS >4 FT.) MEDIAN 4 - TWO-WAY, DIVIDED, POSITIVE MEDIAN BARRIER 5 - ONE-WAY TRAFFICWAY
HM PLACARD ID NO.	<input type="checkbox"/> HAZARDOUS MATERIAL RELEASED		<input checked="" type="checkbox"/> HIT / SKIP UNIT
HM CLASS NUMBER			

NON-MOTORIST LOCATION PRIOR TO IMPACT <b>01</b> 01 - INTERSECTION - MARKED CROSSWALK 02 - INTERSECTION - NO CROSSWALK 03 - INTERSECTION - OTHER 04 - MIDDLEBLOCK - MARKED CROSSWALK 05 - TRAVEL LANE - OTHER LOCATION 06 - BICYCLE LANE 07 - SHOULDER/ROADSIDE 08 - SIDEWALK 09 - MEDIAN/CROSSING ISLAND 10 - DRIVEWAY ACCESS 11 - SHARED-USE PATH OR TRAIL 12 - NON-TRAFFICWAY AREA 99 - OTHER/UNKNOWN	TYPE OF USE <b>2</b> 1 - PERSONAL 2 - COMMERCIAL 3 - GOVERNMENT <input type="checkbox"/> IN EMERGENCY RESPONSE	UNIT TYPE <b>14</b> PASSENGER VEHICLES (LESS THAN 9 PASSENGERS) 01 - SUB-COMPACT 02 - COMPACT 03 - MID SIZE 04 - FULL SIZE 05 - MINIVAN 06 - SPORT UTILITY VEHICLE 07 - PICKUP 08 - VAN 09 - MOTORCYCLE 10 - MOTORIZED BICYCLE 11 - SNOWMOBILE/ATV 12 - OTHER PASSENGER VEHICLE MED/HEAVY TRUCKS OR COMBO UNITS > 10K LBS 13 - SINGLE UNIT TRUCK OR VAN 2AXLE, 6 TIRES 14 - SINGLE UNIT TRUCK; 3+ AXLES 15 - SINGLE UNIT TRUCK / TRAILER 16 - TRUCK/TRACTOR (BOBTAIL) 17 - TRACTOR/SEMI-TRAILER 18 - TRACTOR/DOUBLE 19 - TRACTOR/TRIPLES 20 - OTHER MED/HEAVY VEHICLE BUS/VAN/LIMO (9 OR MORE INCLUDING DRIVER) 21 - BUS/VAN (9-15 SEATS, INC DRIVER) 22 - BUS (16+ SEATS, INC DRIVER) Non-Motorist 23 - ANIMAL WITH RIDER 24 - ANIMAL WITH BUGGY, WAGON, SURREY 25 - BICYCLE/PEDALCYCLIST 26 - PEDESTRIAN/SKATER 27 - OTHER NON-MOTORIST	<input type="checkbox"/> HAS HM PLACARD
---	---	---	---

SPECIAL FUNCTION <b>01</b> 01 - NONE 02 - TAXI 03 - RENTAL TRUCK (OVER 10K LBS) 04 - BUS - SCHOOL (PUBLIC OR PRIVATE) 05 - BUS - TRANSIT 06 - BUS - CHARTER 07 - BUS - SHUTTLE 08 - BUS - OTHER 09 - AMBULANCE 10 - FIRE 11 - HIGHWAY/MAINTENANCE 12 - MILITARY 13 - POLICE 14 - PUBLIC UTILITY 15 - OTHER GOVERNMENT 16 - CONSTRUCTION EQUIP. 17 - FARM VEHICLE 18 - FARM EQUIPMENT 19 - MOTORHOME 20 - GOLF CART 21 - TRAIN 22 - OTHER (EXPLAIN IN NARRATIVE)	MOST DAMAGED AREA <b>99</b> 01 - NONE 02 - CENTER FRONT 03 - RIGHT FRONT 04 - RIGHT SIDE 05 - RIGHT REAR 06 - REAR CENTER 07 - LEFT REAR 08 - LEFT SIDE 09 - LEFT FRONT 10 - TOP AND WINDOWS 11 - UNDERCARRIAGE 12 - LOAD/TRAILER 13 - TOTAL(ALL AREAS) 14 - OTHER 99 - UNKNOWN	ACTION <b>4</b> 1 - NON-CONTACT 2 - NON-COLLISION 3 - STRIKING 4 - STRUCK 5 - STRIKING/STRUCK 9 - UNKNOWN
--	---	--

PRE-CRASH ACTIONS <b>11</b> MOTORIST 01 - STRAIGHT AHEAD 02 - BACKING 03 - CHANGING LANES 04 - OVERTAKING/PASSING 05 - MAKING RIGHT TURN 06 - MAKING LEFT TURN 07 - MAKING U-TURN 08 - ENTERING TRAFFIC LANE 09 - LEAVING TRAFFIC LANE 10 - PARKED 11 - SLOWING OR STOPPED IN TRAFFIC 12 - DRIVERLESS 13 - NEGOTIATING A CURVE 14 - OTHER MOTORIST ACTION Non-Motorist 15 - ENTERING OR CROSSING SPECIFIED LOCATION 16 - WALKING, RUNNING, JOGGING, PLAYING, CYCLING 17 - WORKING 18 - PUSHING VEHICLE 19 - APPROACHING OR LEAVING VEHICLE 20 - STANDING 21 - OTHER NON-MOTORIST ACTION
---

CONTRIBUTING CIRCUMSTANCES <b>01</b> PRIMARY MOTORIST 01 - NONE 02 - FAILURE TO YIELD 03 - RAN RED LIGHT 04 - RAN STOP SIGN 05 - EXCEEDED SPEED LIMIT 06 - UNSAFE SPEED 07 - IMPROPER TURN 08 - LEFT OF CENTER 09 - FOLLOWED TOO CLOSELY/ACDA 10 - IMPROPER LANE CHANGE /PASSING/OFF ROAD 11 - IMPROPER BACKING 12 - IMPROPER START FROM PARKED POSITION 13 - STOPPED OR PARKED ILLEGALLY 14 - OPERATING VEHICLE IN NEGLIGENT MANNER 15 - SWERVING TO AVOID (DUE TO EXTERNAL CONDITIONS) 16 - WRONG SIDE/WRONG WAY 17 - FAILURE TO CONTROL 18 - VISION OBSTRUCTION 19 - OPERATING DEFECTIVE EQUIPMENT 20 - LOAD SHIFTING/FALLING/SPILLING 21 - OTHER IMPROPER ACTION Non-Motorist 22 - NONE 23 - IMPROPER CROSSING 24 - DARTING 25 - LYING AND/OR ILLEGALLY IN ROADWAY 26 - FAILURE TO YIELD RIGHT OF WAY 27 - NOT VISIBLE (DARK CLOTHING) 28 - INATTENTIVE 29 - FAILURE TO OBEY TRAFFIC SIGNS /SIGNALS/OFFICER 30 - WRONG SIDE OF THE ROAD 31 - OTHER NON-MOTORIST ACTION	VEHICLE DEFECTS <b>01</b> 01 - TURN SIGNALS 02 - HEAD LAMPS 03 - TAIL LAMPS 04 - BRAKES 05 - STEERING 06 - TIRE BLOWOUT 07 - WORN OR SLICK TIRES 08 - TRAILER EQUIPMENT DEFECTIVE 09 - MOTOR TROUBLE 10 - DISABLED FROM PRIOR ACCIDENT 11 - OTHER DEFECTS
---	---

SEQUENCE OF EVENTS 1 <b>20</b> 2 <b>01</b> 3 <b>01</b> 4 <b>01</b> 5 <b>01</b> 6 <b>01</b> FIRST HARMFUL EVENT <b>1</b> MOST HARMFUL EVENT <b>1</b> COLLISION WITH PERSON, VEHICLE OR OBJECT NOT FIXED 14 - PEDESTRIAN 15 - PEDALCYCLE 16 - RAILWAY VEHICLE (TRAIN, ENGINE) 17 - ANIMAL - FARM 18 - ANIMAL - DEER 19 - ANIMAL - OTHER 20 - MOTOR VEHICLE IN TRANSPORT 21 - PARKED MOTOR VEHICLE 22 - WORK ZONE MAINTENANCE EQUIPMENT 23 - STRUCK BY FALLING, SHIFTING CARGO OR ANYTHING SET IN MOTION BY A MOTOR VEHICLE 24 - OTHER MOVABLE OBJECT Non-Collision Events 01 - OVERTURN/ROLLOVER 02 - FIRE/EXPLOSION 03 - IMMERSION 04 - JACKKNIFE 05 - CARGO/EQUIPMENT LOSS OR SHIFT 06 - EQUIPMENT FAILURE (BLOWN TIRE, BRAKE FAILURE, ETC) 07 - SEPARATION OF UNITS 08 - RAN OFF ROAD RIGHT 09 - RAN OFF ROAD LEFT 10 - CROSS MEDIAN 11 - CROSS CENTER LINE OPPOSITE DIRECTION OF TRAVEL 12 - DOWNHILL RUNAWAY 13 - OTHER NON-COLLISION Collision With Fixed Object 25 - IMPACT ATTENUATOR/CRASH CUSHION 26 - BRIDGE OVERHEAD STRUCTURE 27 - BRIDGE PIER OR ABUTMENT 28 - BRIDGE PARAPET 29 - BRIDGE RAIL 30 - GUARDRAIL FACE 31 - GUARDRAIL END 32 - PORTABLE BARRIER 33 - MEDIAN CABLE BARRIER 34 - MEDIAN GUARDRAIL BARRIER 35 - MEDIAN CONCRETE BARRIER 36 - MEDIAN OTHER BARRIER 37 - TRAFFIC SIGN POST 38 - OVERHEAD SIGN POST 39 - LIGHT/LUMINARIES SUPPORT 40 - UTILITY POLE 41 - OTHER POST, POLE OR SUPPORT 42 - CULVERT 43 - CURB 44 - DITCH 45 - EMBANKMENT 46 - FENCE 47 - MAILBOX 48 - TREE 49 - FIRE HYDRANT 50 - WORK ZONE MAINTENANCE EQUIPMENT 51 - WALL, BUILDING, TUNNEL 52 - OTHER FIXED OBJECT
--

UNIT SPEED <b>0</b> <input type="checkbox"/> STATED <input type="checkbox"/> ESTIMATED	POSTED SPEED <b>35</b>	TRAFFIC CONTROL <b>02</b> 01 - NO CONTROLS 02 - STOP SIGN 03 - YIELD SIGN 04 - TRAFFIC SIGNAL 05 - TRAFFIC FLASHERS 06 - SCHOOL ZONE 07 - RAILROAD CROSSBUCKS 08 - RAILROAD FLASHERS 09 - RAILROAD GATES 10 - CONSTRUCTION BARRICADE 11 - PERSON (FLAGGER, OFFICER) 12 - PAVEMENT MARKINGS 13 - CROSSWALK LINES 14 - WALK/DON'T WALK 15 - OTHER 16 - NOT REPORTED	UNIT DIRECTION FROM <b>4</b> TO <b>3</b> 1 - NORTH 2 - SOUTH 3 - EAST 4 - WEST 5 - NORTHEAST 6 - NORTHWEST 7 - SOUTHEAST 8 - SOUTHWEST 9 - UNKNOWN
---	---------------------------	--	--



# UNIT

LOCAL REPORT NUMBER

UNIT NUMBER <b>02</b>	OWNER NAME: LAST, FIRST, MIDDLE ( <input type="checkbox"/> SAME AS DRIVER ) <b>KIRSCH, KIMBERLY J.</b>	OWNER PHONE NUMBER - INC. AREA CODE ( <input checked="" type="checkbox"/> SAME AS DRIVER )	DAMAGE SCALE <b>3</b>	DAMAGED AREA FRONT 09 02 03 08 10 04 07 06 05 REAR
LP STATE <b>OH</b>	LICENSE PLATE NUMBER <b>GM 9838</b>	VEHICLE IDENTIFICATION NUMBER <b>1FTYR14U65PA99191</b>	# OCCUPANTS <b>01</b>	
VEHICLE YEAR <b>2006</b>	VEHICLE MAKE <b>FORD</b>	VEHICLE MODEL <b>EXPLORER</b>	VEHICLE COLOR <b>RED</b>	
PROOF OF INSURANCE SHOWN <input checked="" type="checkbox"/>	INSURANCE COMPANY <b>STATE AUTO</b>	POLICY NUMBER <b>A0H 007 9969</b>	TOWED BY	
CARRIER NAME, ADDRESS, CITY, STATE, ZIP			CARRIER PHONE- INCLUDE AREA CODE	

US DOT	VEHICLE WEIGHT GVWR/GCWR <b>1</b> 1 - LESS THAN OR EQUAL TO 10K LBS. 2 - 10,001 TO 26,000 LBS. 3 - MORE THAN 26,000 LBS.	CARGO BODY TYPE <b>01</b> 01 - NO CARGO BODY TYPE/NOT APPLICABLE 02 - BUS/VAN (9-15 SEATS, INC DRIVER) 03 - BUS (16+ SEATS, INC DRIVER) 04 - VEHICLE TOWING ANOTHER VEHICLE 05 - LOGGING 06 - INTERMODAL CONTAINER CHASSIS 07 - CARGO VAN/ENCLOSED BOX 08 - GRAIN, CHIPS, GRAVEL 09 - POLE 10 - CARGO TANK 11 - FLAT BED 12 - DUMP 13 - CONCRETE MIXER 14 - AUTO TRANSPORTER 15 - GARBAGE/REFUSE 99 - OTHER/UNKNOWN	TRAFFICWAY DESCRIPTION <b>1</b> 1 - TWO-WAY, NOT DIVIDED 2 - TWO-WAY, NOT DIVIDED, CONTINUOUS LEFT TURN LANE 3 - TWO-WAY, DIVIDED, UNPROTECTED (PAINTED OR GRASS > 4 FT.) MEDIAN 4 - TWO-WAY, DIVIDED, POSITIVE MEDIAN BARRIER 5 - ONE-WAY TRAFFICWAY <input type="checkbox"/> HIT / SKIP UNIT
HM PLACARD ID NO.	<input type="checkbox"/> HAZARDOUS MATERIAL RELEASED		
HM CLASS NUMBER			

NON-MOTORIST LOCATION PRIOR TO IMPACT <b>01</b> 01 - INTERSECTION - MARKED CROSSWALK 02 - INTERSECTION - NO CROSSWALK 03 - INTERSECTION - OTHER 04 - MIDBLOCK - MARKED CROSSWALK 05 - TRAVEL LANE - OTHER LOCATION 06 - BICYCLE LANE 07 - SHOULDER/ROADSIDE 08 - SIDEWALK 09 - MEDIAN/CROSSING ISLAND 10 - DRIVEWAY ACCESS 11 - SHARED-USE PATH OR TRAIL 12 - NON-TRAFFICWAY AREA 99 - OTHER/UNKNOWN	TYPE OF USE <b>01</b> 1 - PERSONAL 2 - COMMERCIAL 3 - GOVERNMENT <input type="checkbox"/> IN EMERGENCY RESPONSE	UNIT TYPE <b>06</b> 99 - UNKNOWN OR HIT / SKIP PASSENGER VEHICLES (LESS THAN 9 PASSENGERS) 01 - SUB-COMPACT 02 - COMPACT 03 - MID SIZE 04 - FULL SIZE 05 - MINIVAN 06 - SPORT UTILITY VEHICLE 07 - PICKUP 08 - VAN 09 - MOTORCYCLE 10 - MOTORIZED BICYCLE 11 - SNOWMOBILE/ATV 12 - OTHER PASSENGER VEHICLE MED/HEAVY TRUCKS OR COMBO UNITS > 10K LBS 13 - SINGLE UNIT TRUCK OR VAN 2AXLE, 6 TIRES 14 - SINGLE UNIT TRUCK; 3+ AXLES 15 - SINGLE UNIT TRUCK / TRAILER 16 - TRUCK/TRACTOR (BOBTAIL) 17 - TRACTOR/SEMI-TRAILER 18 - TRACTOR/DOUBLE 19 - TRACTOR/TRIPLES 20 - OTHER MED/HEAVY VEHICLE BUS/VAN/LIMO (9 OR MORE INCLUDING DRIVER) 21 - BUS/VAN (9-15 SEATS, INC DRIVER) 22 - BUS (16+ SEATS, INC DRIVER) Non-Motorist 23 - ANIMAL WITH RIDER 24 - ANIMAL WITH BUGGY, WAGON, SURREY 25 - BICYCLE/PEDALCYCLIST 26 - PEDESTRIAN/SKATER 27 - OTHER NON-MOTORIST	<input type="checkbox"/> HAS HM PLACARD
--	--	---	---

SPECIAL FUNCTION <b>01</b> 01 - NONE 02 - TAXI 03 - RENTAL TRUCK (OVER 10K LBS) 04 - BUS - SCHOOL (PUBLIC OR PRIVATE) 05 - BUS - TRANSIT 06 - BUS - CHARTER 07 - BUS - SHUTTLE 08 - BUS - OTHER 09 - AMBULANCE 10 - FIRE 11 - HIGHWAY/MAINTENANCE 12 - MILITARY 13 - POLICE 14 - PUBLIC UTILITY 15 - OTHER GOVERNMENT 16 - CONSTRUCTION EQUIP. 17 - FARM VEHICLE 18 - FARM EQUIPMENT 19 - MOTORHOME 20 - GOLF CART 21 - TRAIN 22 - OTHER (EXPLAIN IN NARRATIVE)	MOST DAMAGED AREA <b>02</b> 01 - NONE 02 - CENTER FRONT 03 - RIGHT FRONT 04 - RIGHT SIDE 05 - RIGHT REAR 06 - REAR CENTER 07 - LEFT REAR 08 - LEFT SIDE 09 - LEFT FRONT 10 - TOP AND WINDOWS 11 - UNDERCARRIAGE 12 - LOAD/TRAILER 13 - TOTAL(ALL AREAS) 14 - OTHER	ACTION <b>3</b> 1 - NON-CONTACT 2 - NON-COLLISION 3 - STRIKING 4 - STRUCK 5 - STRIKING/STRUCK 9 - UNKNOWN
--	---	--

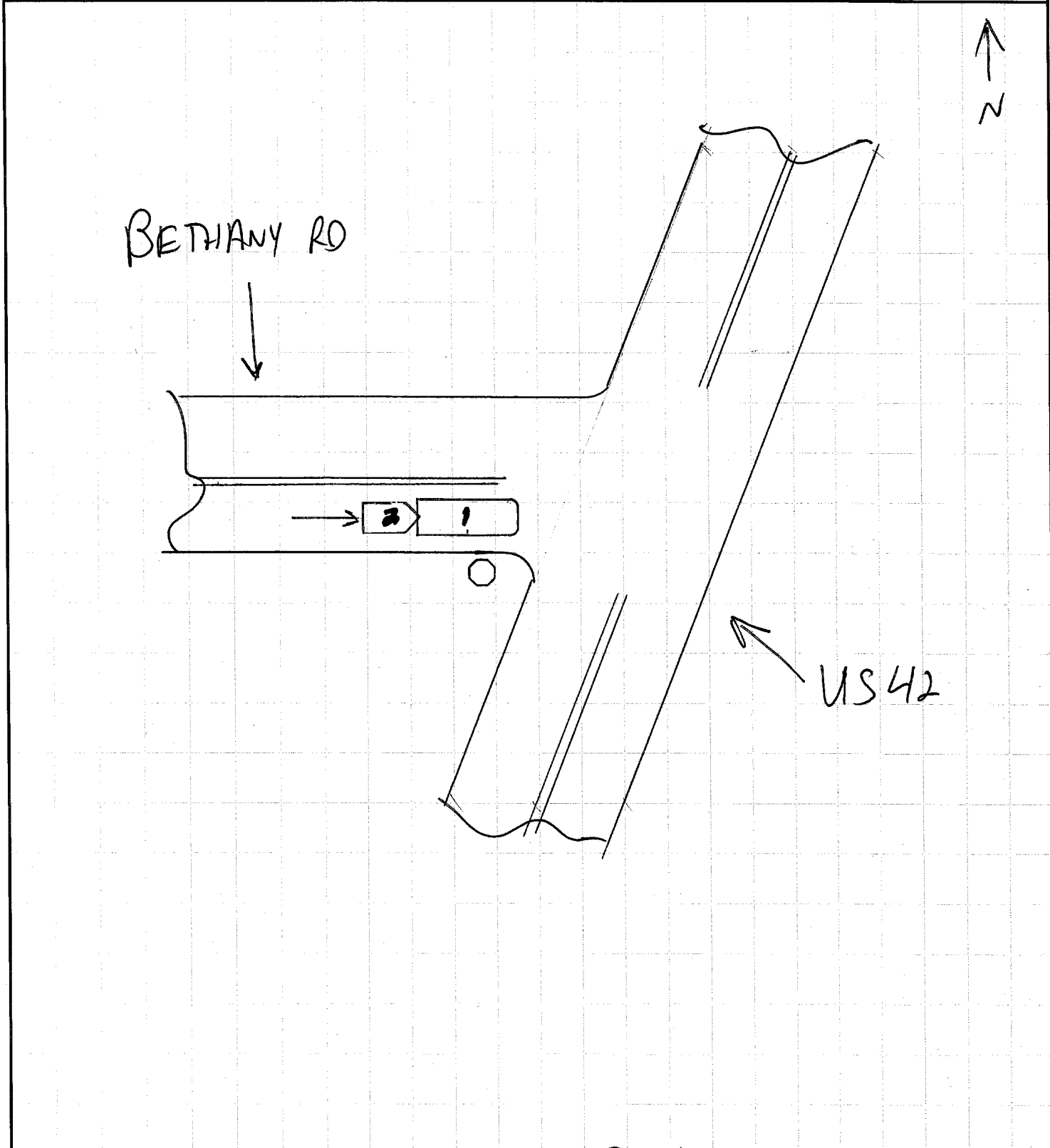
PRE-CRASH ACTIONS <b>01</b> 99 - UNKNOWN MOTORIST 01 - STRAIGHT AHEAD 02 - BACKING 03 - CHANGING LANES 04 - OVERTAKING/PASSING 05 - MAKING RIGHT TURN 06 - MAKING LEFT TURN 07 - MAKING U-TURN 08 - ENTERING TRAFFIC LANE 09 - LEAVING TRAFFIC LANE 10 - PARKED 11 - SLOWING OR STOPPED IN TRAFFIC 12 - DRIVERLESS 13 - NEGOTIATING A CURVE 14 - OTHER MOTORIST ACTION Non-Motorist 15 - ENTERING OR CROSSING SPECIFIED LOCATION 16 - WALKING, RUNNING, JOGGING, PLAYING, CYCLING 17 - WORKING 18 - PUSHING VEHICLE 19 - APPROACHING OR LEAVING VEHICLE 20 - STANDING 21 - OTHER NON-MOTORIST ACTION
---

CONTRIBUTING CIRCUMSTANCES PRIMARY <b>09</b> SECONDARY <b>09</b> 99 - UNKNOWN MOTORIST 01 - NONE 02 - FAILURE TO YIELD 03 - RAN RED LIGHT 04 - RAN STOP SIGN 05 - EXCEEDED SPEED LIMIT 06 - UNSAFE SPEED 07 - IMPROPER TURN 08 - LEFT OF CENTER 09 - FOLLOWED TOO CLOSELY/ACDA 10 - IMPROPER LANE CHANGE /PASSING/OFF ROAD 11 - IMPROPER BACKING 12 - IMPROPER START FROM PARKED POSITION 13 - STOPPED OR PARKED ILLEGALLY 14 - OPERATING VEHICLE IN NEGLIGENT MANNER 15 - SWERVING TO AVOID (DUE TO EXTERNAL CONDITIONS) 16 - WRONG SIDE/WRONG WAY 17 - FAILURE TO CONTROL 18 - VISION OBSTRUCTION 19 - OPERATING DEFECTIVE EQUIPMENT 20 - LOAD SHIFTING/FALLING/SPILLING 21 - OTHER IMPROPER ACTION Non-Motorist 22 - NONE 23 - IMPROPER CROSSING 24 - DARTING 25 - LYING AND/OR ILLEGALLY IN ROADWAY 26 - FAILURE TO YIELD RIGHT OF WAY 27 - NOT VISIBLE (DARK CLOTHING) 28 - INATTENTIVE 29 - FAILURE TO OBEY TRAFFIC SIGNS /SIGNALS/OFFICER 30 - WRONG SIDE OF THE ROAD 31 - OTHER NON-MOTORIST ACTION	VEHICLE DEFECTS <b>01</b> 01 - TURN SIGNALS 02 - HEAD LAMPS 03 - TAIL LAMPS 04 - BRAKES 05 - STEERING 06 - TIRE BLOWOUT 07 - WORN OR SLICK TIRES 08 - TRAILER EQUIPMENT DEFECTIVE 09 - MOTOR TROUBLE 10 - DISABLED FROM PRIOR ACCIDENT 11 - OTHER DEFECTS
---	---

SEQUENCE OF EVENTS 1 <b>26</b> 2 <b>01</b> 3 <b>01</b> 4 <b>01</b> 5 <b>01</b> 6 <b>01</b> FIRST HARMFUL EVENT <b>1</b> MOST HARMFUL EVENT <b>1</b> 99 - UNKNOWN Non-Collision Events 01 - OVERTURN/ROLLOVER 02 - FIRE/EXPLOSION 03 - IMMERSION 04 - JACKKNIFE 05 - CARGO/EQUIPMENT LOSS OR SHIFT 06 - EQUIPMENT FAILURE (BLOWN TIRE, BRAKE FAILURE, ETC) 07 - SEPARATION OF UNITS 08 - RAN OFF ROAD RIGHT 09 - RAN OFF ROAD LEFT 10 - CROSS MEDIAN 11 - CROSS CENTER LINE OPPOSITE DIRECTION OF TRAVEL 12 - DOWNHILL RUNAWAY 13 - OTHER NON-COLLISION	COLLISION WITH PERSON, VEHICLE OR OBJECT NOT FIXED 14 - PEDESTRIAN 15 - PEDALCYCLE 16 - RAILWAY VEHICLE (TRAIN, ENGINE) 17 - ANIMAL - FARM 18 - ANIMAL - DEER 19 - ANIMAL - OTHER 20 - MOTOR VEHICLE IN TRANSPORT 21 - PARKED MOTOR VEHICLE 22 - WORK ZONE MAINTENANCE EQUIPMENT 23 - STRUCK BY FALLING, SHIFTING CARGO OR ANYTHING SET IN MOTION BY A MOTOR VEHICLE 24 - OTHER MOVABLE OBJECT 25 - IMPACT ATTENUATOR/CRASH CUSHION 26 - BRIDGE OVERHEAD STRUCTURE 27 - BRIDGE PIER OR ABUTMENT 28 - BRIDGE PARAPET 29 - BRIDGE RAIL 30 - GUARDRAIL FACE 31 - GUARDRAIL END 32 - PORTABLE BARRIER 33 - MEDIAN CABLE BARRIER 34 - MEDIAN GUARDRAIL BARRIER 35 - MEDIAN CONCRETE BARRIER 36 - MEDIAN OTHER BARRIER 37 - TRAFFIC SIGN POST 38 - OVERHEAD SIGN POST 39 - LIGHT/LUMINARIES SUPPORT 40 - UTILITY POLE 41 - OTHER POST, POLE OR SUPPORT 42 - CULVERT 43 - CURBS 44 - DITCH 45 - EMBANKMENT 46 - FENCE 47 - MAILBOX 48 - TREE 49 - FIRE HYDRANT 50 - WORK ZONE MAINTENANCE EQUIPMENT 51 - WALL, BUILDING, TUNNEL 52 - OTHER FIXED OBJECT
---	---

UNIT SPEED <b>5</b> STATED <input checked="" type="checkbox"/> ESTIMATED <input type="checkbox"/>	POSTED SPEED <b>35</b>	TRAFFIC CONTROL <b>12</b> 01 - NO CONTROLS 02 - STOP SIGN 03 - YIELD SIGN 04 - TRAFFIC SIGNAL 05 - TRAFFIC FLASHERS 06 - SCHOOL ZONE 07 - RAILROAD CROSSBUCKS 08 - RAILROAD FLASHERS 09 - RAILROAD GATES 10 - CONSTRUCTION BARRICADE 11 - PERSON (FLAGGER, OFFICER) 12 - PAVEMENT MARKINGS 13 - CROSSWALK LINES 14 - WALK/DON'T WALK 15 - OTHER 16 - NOT REPORTED	UNIT DIRECTION FROM <b>7</b> TO <b>3</b> 1 - NORTH 2 - SOUTH 3 - EAST 4 - WEST 5 - NORTHEAST 6 - NORTHWEST 7 - SOUTHEAST 8 - SOUTHWEST 9 - UNKNOWN
---	---------------------------	--	--

LOCAL REPORT NUMBER	REPORTING AGENCY <b>MASON POLICE</b>	DATE OF CRASH <b>MO6   23   16</b>
IN COUNTY OF <b>WARREN</b>	CRASH LOCATION <b>BETHANY RO</b>	



NOT TO SCALE

OFFICER'S SIGNATURE <b>X [Signature]</b>	BADGE NUMBER <b>55</b>
---	---------------------------