



TRAFFIC CRASH REPORT

LOCAL REPORT NUMBER *

20115-139136

CRASH SEVERITY
3 1 - FATAL
2 - INJURY
3 - PDOHIT/SKIP
1 - SOLVED
2 - UNSOLVED

LOCAL INFORMATION

<input checked="" type="checkbox"/> PHOTOS TAKEN <input type="checkbox"/> OH-2 <input type="checkbox"/> OH-1P <input type="checkbox"/> OH-3 <input type="checkbox"/> OTHER	<input type="checkbox"/> PDO UNDER STATE REPORTABLE DOLLAR AMOUNT	<input type="checkbox"/> PRIVATE PROPERTY	REPORTING AGENCY NCIC * 08J04	REPORTING AGENCY NAME * MASON POLICE	NUMBER OF UNITS 01	UNIT IN ERROR 01	98 - ANIMAL 99 - UNKNOWN
--	---	---	----------------------------------	---	-----------------------	---------------------	-----------------------------

COUNTY * 83	CITY * <input type="checkbox"/> VILLAGE * <input type="checkbox"/> TOWNSHIP *	CITY, VILLAGE, TOWNSHIP * MASON	CRASH DATE * 02052015	TIME OF CRASH 0630	DAY OF WEEK THU
----------------	---	------------------------------------	--------------------------	-----------------------	--------------------

DEGREES / MINUTES / SECONDS LATITUDE 0 / " 0 / "	LONGITUDE 0 / " 0 / "	OR	DECIMAL DEGREES LATITUDE 39.369595	LONGITUDE 784.287086
--	--------------------------	----	--	-------------------------

ROADWAY DIVISION <input checked="" type="checkbox"/> DIVIDED <input type="checkbox"/> UNDIVIDED	DIVIDED LANE DIRECTION OF TRAVEL <input type="checkbox"/> N - NORTHBOUND <input type="checkbox"/> E - EASTBOUND <input type="checkbox"/> S - SOUTHBOUND <input type="checkbox"/> W - WESTBOUND	NUMBER OF THRU LANES 02	ROAD TYPES OR MILEPOST ² AL - ALLEY CR - CIRCLE HE - HEIGHTS MP - MILEPOST PL - PLACE ST - STREET WA - WAY AV - AVENUE CT - COURT HW - HIGHWAY PK - PARKWAY RD - ROAD TE - TERRACE BL - BOULEVARD DR - DRIVE LA - LANE PI - PIKE SQ - SQUARE TL - TRAIL
---	--	----------------------------	---

LOCATION ROUTE TYPE 1 SR 741	LOCATION ROUTE NUMBER 741	LOC PREFIX N, S, E, W	LOCATION ROAD NAME	LOCATION ROAD TYPE 2	ROUTE TYPES ¹ IR - INTERSTATE ROUTE (INC. TURNPIKE) CR - NUMBERED COUNTY ROUTE US - US ROUTE TR - NUMBERED TOWNSHIP ROUTE SR - STATE ROUTE
---------------------------------	------------------------------	--------------------------	--------------------	----------------------	--

DISTANCE FROM REFERENCE 300	DIR FROM REF <input type="checkbox"/> MILES <input checked="" type="checkbox"/> FEET N, S, E, W	REFERENCE ROUTE TYPE 1	REFERENCE ROUTE NUMBER	REF PREFIX N, S, E, W	REFERENCE NAME (ROAD, MILEPOST, HOUSE #) CARMELLE WOODS	REFERENCE ROAD TYPE 2
--------------------------------	--	------------------------	------------------------	--------------------------	--	-----------------------

REFERENCE POINT USED 1 - INTERSECTION 2 - MILE POST 3 - HOUSE NUMBER	CRASH LOCATION 01	01 - NOT AN INTERSECTION 02 - FOUR-WAY INTERSECTION 03 - T-INTERSECTION 04 - Y-INTERSECTION 05 - TRAFFIC CIRCLE/ROUNDBOUNT	06 - FIVE-POINT, OR MORE 07 - ON RAMP 08 - OFF RAMP 09 - CROSSOVER 10 - DRIVEWAY/ALLEY ACCESS	11 - RAILWAY GRADE CROSSING 12 - SHARED-USE PATHS OR TRAILS 99 - UNKNOWN	<input type="checkbox"/> INTERSECTION RELATED	LOCATION OF FIRST HARMFUL EVENT 6 1 - ON ROADWAY 5 - ON GORE 2 - ON SHOULDER 6 - OUTSIDE TRAFFICWAY 3 - IN MEDIAN 9 - UNKNOWN 4 - ON ROADSIDE
---	----------------------	--	---	--	---	--

ROAD CONTOUR 2 1 - STRAIGHT LEVEL 2 - STRAIGHT GRADE 3 - CURVE LEVEL 4 - CURVE GRADE 9 - UNKNOWN	ROAD CONDITIONS PRIMARY 02 SECONDARY 03 01 - DRY 02 - WET 03 - SNOW 04 - ICE 05 - SAND, MUD, DIRT, OIL, GRAVEL 06 - WATER (STANDING, MOVING) 07 - SLUSH 08 - DEBRIS* 09 - RUT, HOLES, BUMPS, UNEVEN PAVEMENT* 10 - OTHER 99 - UNKNOWN	* SECONDARY CONDITION ONLY
--	--	----------------------------

MANNER OF CRASH COLLISION/IMPACT 1 1 - NOT COLLISION BETWEEN TWO MOTOR VEHICLES IN TRANSPORT 2 - REAR-END 3 - HEAD-ON 4 - REAR-TO-REAR 5 - BACKING 6 - ANGLE 7 - SIDESWIPE, SAME DIRECTION 8 - SIDESWIPE, OPPOSITE DIRECTION 9 - UNKNOWN	WEATHER 2 1 - CLEAR 2 - CLOUDY 3 - FOG, SMOG, SMOKE 4 - RAIN 5 - SLEET, HAIL 6 - SNOW 7 - SEVERE CROSSWINDS 8 - BLOWING SAND, SOIL, DIRT, SNOW 9 - OTHER/UNKNOWN
--	--

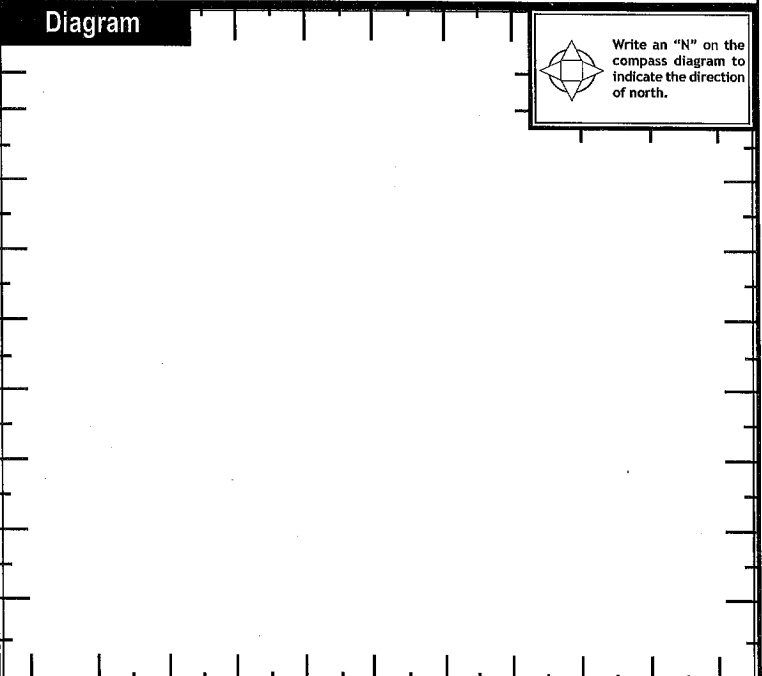
ROAD SURFACE 2 1 - CONCRETE 2 - BLACKTOP, BITUMINOUS, ASPHALT 3 - BRICK/BLOCK 4 - SLAG, GRAVEL, STONE 5 - DIRT 6 - OTHER	LIGHT CONDITIONS 5 PRIMARY SECONDARY 1 - DAYLIGHT 2 - DAWN 3 - DUSK 4 - DARK - LIGHTED ROADWAY 5 - DARK - ROADWAY NOT LIGHTED 6 - DARK - UNKNOWN ROADWAY LIGHTING 7 - GLARE* 8 - OTHER 9 - UNKNOWN	<input type="checkbox"/> SCHOOL BUS RELATED <input type="checkbox"/> SCHOOL ZONE RELATED <input type="checkbox"/> YES, SCHOOL BUS DIRECTLY INVOLVED <input type="checkbox"/> YES, SCHOOL BUS INDIRECTLY INVOLVED
---	--	---

<input type="checkbox"/> WORK ZONE RELATED	<input type="checkbox"/> WORKERS PRESENT <input type="checkbox"/> LAW ENFORCEMENT PRESENT (OFFICER/VEHICLE) <input type="checkbox"/> LAW ENFORCEMENT PRESENT (VEHICLE ONLY)	TYPE OF WORK ZONE 1 - LANE CLOSURE 2 - LANE SHIFT/CROSSOVER 3 - WORK ON SHOULDER OR MEDIAN 4 - INTERMITTENT OR MOVING WORK 5 - OTHER	LOCATION OF CRASH IN WORK ZONE 1 - BEFORE THE FIRST WORK ZONE WARNING SIGN 2 - ADVANCE WARNING AREA 3 - TRANSITION AREA 4 - ACTIVITY AREA 5 - TERMINATION AREA
--	---	---	---

NARRATIVE

UNIT #01 WAS TRAVELLING SOUTHBOUND ON SR 741 FROM CARMELLE WOODS DR. FAILED TO MAINTAIN REASONABLE CONTROL, RAN OFF THE ROADWAY LEFT AND STRUCK A GATE.

THE OWNER OF THE GATE IS MARCELINE DAVIS, 513-398-7979



REPORT TAKEN BY <input checked="" type="checkbox"/> POLICE AGENCY <input type="checkbox"/> MOTORIST	<input type="checkbox"/> SUPPLEMENT (CORRECTION OR ADDITION TO AN EXISTING REPORT SENT TO ODPSS)	DATE CRASH REPORTED 02052015	TIME CRASH REPORTED 0718	DISPATCH TIME 0718	ARRIVAL TIME 0723	TIME CLEARED 0757	OTHER INVESTIGATION TIME 0020	TOTAL MINUTES 0054
OFFICER'S NAME * FITZGERALD	OFFICER'S BADGE NUMBER 1637	CHECKED BY 50	PAGE	OF				



MOTORIST / Non-MOTORIST / OCCUPANT

LOCAL REPORT NUMBER

1201151-13191316

UNIT NUMBER 011	NAME: LAST, FIRST, MIDDLE SCOBURGH ANTHONY CAESAR	DATE OF BIRTH 1/10/14/1978	AGE 16	GENDER M F - FEMALE M - MALE
--------------------	--	-------------------------------	-----------	---------------------------------------

ADDRESS, CITY, STATE, ZIP 4489 BROOKSHIRE CT MASON OH 45040	CONTACT PHONE- INCLUDE AREA CODE 419-302-4471
--	--

INJURIES 1	INJURED TAKEN BY	EMS AGENCY	MEDICAL FACILITY INJURED TAKEN TO	SAFETY EQUIPMENT USED 99	DOT COMPLIANT MOTORCYCLE HELMET <input type="checkbox"/>	SEATING POSITION 01	AIR BAG USAGE 1	EJECTION 1	TRAPPED 1		
OL STATE OH	OPERATOR LICENSE NUMBER TJ371108	OL CLASS 2	No VALID OL <input type="checkbox"/>	M/C END. <input type="checkbox"/>	CONDITION 1	ALCOHOL/DRUG SUSPECTED 1	ALCOHOL TEST STATUS 1	ALCOHOL TEST TYPE 1	ALCOHOL TEST VALUE .	DRUG TEST STATUS 1	DRUG TEST TYPE 1

OFFENSE CHARGED (<input type="checkbox"/> LOCAL CODE) 4511.02ZA	OFFENSE DESCRIPTION REASONABLE CONTROL	CITATION NUMBER 77767	HANDS-FREE DEVICE USED <input type="checkbox"/>	DRIVER DISTRACTED BY 1
--	---	--------------------------	--	---------------------------

UNIT NUMBER []	NAME: LAST, FIRST, MIDDLE	DATE OF BIRTH	AGE	GENDER [] F - FEMALE M - MALE
--------------------	---------------------------	---------------	-----	---

ADDRESS, CITY, STATE, ZIP	CONTACT PHONE- INCLUDE AREA CODE
---------------------------	----------------------------------

INJURIES []	INJURED TAKEN BY	EMS AGENCY	MEDICAL FACILITY INJURED TAKEN TO	SAFETY EQUIPMENT USED []	DOT COMPLIANT MOTORCYCLE HELMET <input type="checkbox"/>	SEATING POSITION []	AIR BAG USAGE []	EJECTION []	TRAPPED []		
OL STATE []	OPERATOR LICENSE NUMBER	OL CLASS []	No VALID OL <input type="checkbox"/>	M/C END. <input type="checkbox"/>	CONDITION []	ALCOHOL/DRUG SUSPECTED []	ALCOHOL TEST STATUS []	ALCOHOL TEST TYPE []	ALCOHOL TEST VALUE .	DRUG TEST STATUS []	DRUG TEST TYPE []

OFFENSE CHARGED (<input type="checkbox"/> LOCAL CODE)	OFFENSE DESCRIPTION	CITATION NUMBER	HANDS-FREE DEVICE USED <input type="checkbox"/>	DRIVER DISTRACTED BY []
---	---------------------	-----------------	--	-----------------------------

INJURIES 1 - NO INJURY / NONE REPORTED 2 - POSSIBLE 3 - NON-INCAPACITATING 4 - INCAPACITATING 5 - FATAL	INJURED-TAKEN BY 1 - NOT TRANSPORTED / TREATED AT SCENE 2 - EMS 3 - POLICE 4 - OTHER 9 - UNKNOWN	SAFETY EQUIPMENT USED MOTORIST 01 - NONE USED - VEHICLE OCCUPANT 02 - SHOULDER BELT ONLY USED 03 - LAP BELT ONLY USED 04 - SHOULDER AND LAP BELT USED	99 - UNKNOWN SAFETY EQUIPMENT 05 - CHILD RESTRAINT SYSTEM-FORWARD FACING 06 - CHILD RESTRAINT SYSTEM- REAR FACING 07 - BOOSTER SEAT 08 - HELMET USED	Non-MOTORIST 09 - NONE USED 10 - HELMET USED 11 - PROTECTIVE PADS USED (ELBOWS, KNEES, ETC) 12 - REFLECTIVE CLOTHING 13 - LIGHTING 14 - OTHER
--	---	--	--	---

SEATING POSITION 01 - FRONT - LEFT SIDE (MOTORCYCLE DRIVER) 02 - FRONT - MIDDLE 03 - FRONT - RIGHT SIDE 04 - SECOND - LEFT SIDE (MOTORCYCLE PASSENGER) 05 - SECOND - MIDDLE 06 - SECOND - RIGHT SIDE	07 - THIRD - LEFT SIDE (MOTORCYCLE SIDE CAR) 08 - THIRD - MIDDLE 09 - THIRD - RIGHT SIDE 10 - SLEEPER-SECTION OF CAB (TRUCK) 11 - PASSENGER IN OTHER ENCLOSED CARGO AREA (NON-TRAILING UNIT SUCH AS A BUS; PICK-UP WITH CAP)	12 - PASSENGER IN UNENCLOSED CARGO AREA 13 - TRAILING UNIT 14 - RIDING ON VEHICLE EXTERIOR (NON-TRAILING UNIT) 15 - NON-MOTORIST 16 - OTHER 99 - UNKNOWN	AIR BAG USAGE 1 - NOT DEPLOYED 2 - DEPLOYED FRONT 3 - DEPLOYED SIDE 4 - DEPLOYED BOTH FRONT/SIDE 5 - NOT APPLICABLE 9 - DEPLOYMENT UNKNOWN
--	--	---	--

EJECTION 1 - NOT EJECTED 2 - TOTALLY EJECTED 3 - PARTIALLY EJECTED 4 - NOT APPLICABLE	TRAPPED 1 - NOT TRAPPED 2 - EXTRICATED BY MECHANICAL MEANS 3 - EXTRICATED BY NON-MECHANICAL MEANS	OPERATOR LICENSE CLASS 1 - CLASS A 2 - CLASS B 3 - CLASS C 4 - REGULAR CLASS (OHIO IS "D") 5 - MC/MOPED ONLY	CONDITION 1 - APPARENTLY NORMAL 2 - PHYSICAL IMPAIRMENT 3 - EMOTIONAL (DEPRESSED, ANGRY, DISTURBED) 4 - ILLNESS 5 - FELL ASLEEP, FAINTED, FATIGUED 6 - UNDER THE INFLUENCE OF MEDICATIONS, DRUGS, ALCOHOL 7 - OTHER	ALCOHOL/DRUG SUSPECTED 1 - NONE 2 - YES - ALCOHOL SUSPECTED 3 - YES - HBD NOT IMPAIRED 4 - YES - DRUGS SUSPECTED 5 - YES - ALCOHOL AND DRUGS SUSPECTED
---	--	---	--	---

ALCOHOL TEST STATUS 1 - NONE GIVEN 2 - TEST REFUSED 3 - TEST GIVEN, CONTAMINATED SAMPLE/UNUSABLE 4 - TEST GIVEN, RESULTS KNOWN 5 - TEST GIVEN, RESULTS UNKNOWN	ALCOHOL TEST TYPE 1 - NONE 2 - BLOOD 3 - URINE 4 - BREATH 5 - OTHER	DRUG TEST STATUS 1 - NONE GIVEN 2 - TEST REFUSED 3 - TEST GIVEN, CONTAMINATED SAMPLE/UNUSABLE 4 - TEST GIVEN, RESULTS KNOWN 5 - TEST GIVEN, RESULTS UNKNOWN	DRUG TEST TYPE 1 - NONE 2 - BLOOD 3 - URINE 4 - OTHER	DRIVER DISTRACTED BY 1 - NO DISTRACTION REPORTED 2 - PHONE 3 - TEXTING/E-MAILING 4 - ELECTRONIC COMMUNICATION DEVICE 5 - OTHER ELECTRONIC DEVICE (NAVIGATION DEVICE, RADIO, DVD) 6 - OTHER INSIDE THE VEHICLE 7 - EXTERNAL DISTRACTION
---	--	--	---	---

UNIT NUMBER []	NAME: LAST, FIRST, MIDDLE	DATE OF BIRTH	AGE	GENDER [] F - FEMALE M - MALE
--------------------	---------------------------	---------------	-----	---

ADDRESS, CITY, STATE, ZIP	CONTACT PHONE- INCLUDE AREA CODE
---------------------------	----------------------------------

INJURIES []	INJURED TAKEN BY	EMS AGENCY	MEDICAL FACILITY INJURED TAKEN TO	SAFETY EQUIPMENT USED []	DOT COMPLIANT MOTORCYCLE HELMET <input type="checkbox"/>	SEATING POSITION []	AIR BAG USAGE []	EJECTION []	TRAPPED []
UNIT NUMBER []	NAME: LAST, FIRST, MIDDLE	DATE OF BIRTH	AGE	GENDER [] F - FEMALE M - MALE					

ADDRESS, CITY, STATE, ZIP	CONTACT PHONE- INCLUDE AREA CODE
---------------------------	----------------------------------

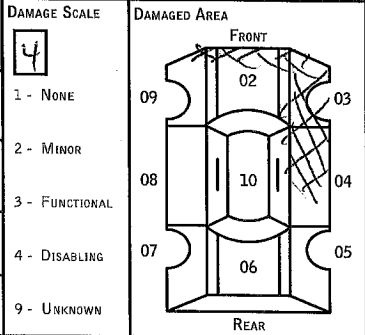
INJURIES []	INJURED TAKEN BY	EMS AGENCY	MEDICAL FACILITY INJURED TAKEN TO	SAFETY EQUIPMENT USED []	DOT COMPLIANT MOTORCYCLE HELMET <input type="checkbox"/>	SEATING POSITION []	AIR BAG USAGE []	EJECTION []	TRAPPED []
-----------------	------------------	------------	-----------------------------------	------------------------------	---	-------------------------	----------------------	-----------------	----------------



UNIT

LOCAL REPORT NUMBER
120151-189316

UNIT NUMBER 1011	OWNER NAME: LAST, FIRST, MIDDLE (<input type="checkbox"/> SAME AS DRIVER) NGWENYA-SCOBURGH LIZZIE	OWNER PHONE NUMBER - INC. AREA CODE (<input checked="" type="checkbox"/> SAME AS DRIVER)
LP STATE OH	LICENSE PLATE NUMBER 126 WYR	VEHICLE IDENTIFICATION NUMBER 1FMDU34X9TMA117127
VEHICLE YEAR 1996	VEHICLE MAKE FORD	VEHICLE MODEL EXPLORER
PROOF OF INSURANCE SHOWN <input type="checkbox"/>	INSURANCE COMPANY STATE FARM	POLICY NUMBER 8053304 C 0235 I
CARRIER NAME, ADDRESS, CITY, STATE, ZIP		TOWED BY JACOBS



US DOT	VEHICLE WEIGHT GVWR/GCWR 1 1 - LESS THAN OR EQUAL TO 10K LBS. 2 - 10,001 TO 26,000 LBS. 3 - MORE THAN 26,000 LBS.	CARGO BODY TYPE 01 01 - NO CARGO BODY TYPE/NOT APPLICABLE 02 - BUS/VAN (9-15 SEATS, INC DRIVER) 03 - BUS (16+ SEATS, INC DRIVER) 04 - VEHICLE TOWING ANOTHER VEHICLE 05 - LOGGING 06 - INTERMODAL CONTAINER CHASSIS 07 - CARGO VAN/ENCLOSED BOX 08 - GRAIN, CHIPS, GRAVEL
HM PLACARD ID NO.	<input type="checkbox"/> HAZARDOUS MATERIAL RELEASED	09 - POLE 10 - CARGO TANK 11 - FLAT BED 12 - DUMP 13 - CONCRETE MIXER 14 - AUTO TRANSPORTER 15 - GARBAGE/REFUSE 99 - OTHER/UNKNOWN
HM CLASS NUMBER		TRAFFICWAY DESCRIPTION 1 1 - TWO-WAY, NOT DIVIDED 2 - TWO-WAY, NOT DIVIDED, CONTINUOUS LEFT TURN LANE 3 - TWO-WAY, DIVIDED, UNPROTECTED (PAINTED OR GRASS > 4 FT.) MEDIAN 4 - TWO-WAY, DIVIDED, POSITIVE MEDIAN BARRIER 5 - ONE-WAY TRAFFICWAY

TRAFFICWAY DESCRIPTION

HIT / SKIP UNIT

NON-MOTORIST LOCATION PRIOR TO IMPACT

01

01 - INTERSECTION - MARKED CROSSWALK
02 - INTERSECTION - NO CROSSWALK
03 - INTERSECTION - OTHER
04 - MIDBLOCK - MARKED CROSSWALK
05 - TRAVEL LANE - OTHER LOCATION
06 - BICYCLE LANE
07 - SHOULDER/ROADSIDE
08 - SIDEWALK
09 - MEDIAN/CROSSING ISLAND
10 - DRIVEWAY ACCESS
11 - SHARED-USE PATH OR TRAIL
12 - NON-TRAFFICWAY AREA
99 - OTHER/UNKNOWN

TYPE OF USE
1
1 - PERSONAL
2 - COMMERCIAL
3 - GOVERNMENT

IN EMERGENCY RESPONSE

UNIT TYPE
06
99 - UNKNOWN OR HIT / SKIP

PASSENGER VEHICLES (LESS THAN 9 PASSENGERS)
01 - SUB-COMPACT
02 - COMPACT
03 - MID SIZE
04 - FULL SIZE
05 - MINIVAN
06 - SPORT UTILITY VEHICLE
07 - PICKUP
08 - VAN
09 - MOTORCYCLE
10 - MOTORIZED BICYCLE
11 - SNOWMOBILE/ATV
12 - OTHER PASSENGER VEHICLE

MED/HEAVY TRUCKS OR COMBO UNITS > 10K LBS
13 - SINGLE UNIT TRUCK OR VAN 2AXLE, 6 TIRES
14 - SINGLE UNIT TRUCK; 3+ AXLES
15 - SINGLE UNIT TRUCK / TRAILER
16 - TRUCK/TRACTOR (BOBTAIL)
17 - TRACTOR/SEMI-TRAILER
18 - TRACTOR/DOUBLE
19 - TRACTOR/TRIPLES
20 - OTHER MED/HEAVY VEHICLE

HAS HM PLACARD

BUS/VAN/LIMO (9 OR MORE INCLUDING DRIVER)
21 - BUS/VAN (9-15 SEATS, INC DRIVER)
22 - BUS (16+ SEATS, INC DRIVER)

NON-MOTORIST
23 - ANIMAL WITH RIDER
24 - ANIMAL WITH BUGGY, WAGON, SURREY
25 - BICYCLE/PEDALCYCLIST
26 - PEDESTRIAN/SKATER
27 - OTHER NON-MOTORIST

SPECIAL FUNCTION
01

01 - NONE
02 - TAXI
03 - RENTAL TRUCK (OVER 10K LBS)
04 - BUS - SCHOOL (PUBLIC OR PRIVATE)
05 - BUS - TRANSIT
06 - BUS - CHARTER
07 - BUS - SHUTTLE
08 - BUS - OTHER

09 - AMBULANCE
10 - FIRE
11 - HIGHWAY/MAINTENANCE
12 - MILITARY
13 - POLICE
14 - PUBLIC UTILITY
15 - OTHER GOVERNMENT
16 - CONSTRUCTION EQUIP.

17 - FARM VEHICLE
18 - FARM EQUIPMENT
19 - MOTORHOME
20 - GOLF CART
21 - TRAIN
22 - OTHER (EXPLAIN IN NARRATIVE)

MOST DAMAGED AREA
03

01 - NONE
02 - CENTER FRONT
03 - RIGHT FRONT
04 - RIGHT SIDE
05 - RIGHT REAR
06 - REAR CENTER
07 - LEFT REAR

08 - LEFT SIDE
09 - LEFT FRONT
10 - TOP AND WINDOWS
11 - UNDERCARRIAGE
12 - LOAD/TRAILER
13 - TOTAL(ALL AREAS)
14 - OTHER

IMPACT AREA
02

ACTION
3

1 - NON-CONTACT
2 - NON-COLLISION
3 - STRIKING
4 - STRUCK
5 - STRIKING/STRUCK
9 - UNKNOWN

PRE-CRASH ACTIONS
01

99 - UNKNOWN

MOTORIST
01 - STRAIGHT AHEAD
02 - BACKING
03 - CHANGING LANES
04 - OVERTAKING/PASSING
05 - MAKING RIGHT TURN
06 - MAKING LEFT TURN

07 - MAKING U-TURN
08 - ENTERING TRAFFIC LANE
09 - LEAVING TRAFFIC LANE
10 - PARKED
11 - SLOWING OR STOPPED IN TRAFFIC
12 - DRIVERLESS

13 - NEGOTIATING A CURVE
14 - OTHER MOTORIST ACTION

NON-MOTORIST
15 - ENTERING OR CROSSING SPECIFIED LOCATION
16 - WALKING, RUNNING, JOGGING, PLAYING, CYCLING
17 - WORKING
18 - PUSHING VEHICLE
19 - APPROACHING OR LEAVING VEHICLE
20 - STANDING

21 - OTHER NON-MOTORIST ACTION

CONTRIBUTING CIRCUMSTANCES

PRIMARY
17

SECONDARY
99 - UNKNOWN

MOTORIST
01 - NONE
02 - FAILURE TO YIELD
03 - RAN RED LIGHT
04 - RAN STOP SIGN
05 - EXCEEDED SPEED LIMIT
06 - UNSAFE SPEED
07 - IMPROPER TURN
08 - LEFT OF CENTER
09 - FOLLOWED TOO CLOSELY/ACDA
10 - IMPROPER LANE CHANGE /PASSING/OFF ROAD

NON-MOTORIST
11 - IMPROPER BACKING
12 - IMPROPER START FROM PARKED POSITION
13 - STOPPED OR PARKED ILLEGALLY
14 - OPERATING VEHICLE IN NEGLIGENT MANNER
15 - SWERVING TO AVOID (DUE TO EXTERNAL CONDITIONS)
16 - WRONG SIDE/WRONG WAY
17 - FAILURE TO CONTROL
18 - VISION OBSTRUCTION
19 - OPERATING DEFECTIVE EQUIPMENT
20 - LOAD SHIFTING/FALLING/SPILLING
21 - OTHER IMPROPER ACTION

VEHICLE DEFECTS
01

01 - TURN SIGNALS
02 - HEAD LAMPS
03 - TAIL LAMPS
04 - BRAKES
05 - STEERING
06 - TIRE BLOWOUT
07 - WORN OR SLICK TIRES
08 - TRAILER EQUIPMENT DEFECTIVE
09 - MOTOR TROUBLE
10 - DISABLED FROM PRIOR ACCIDENT
11 - OTHER DEFECTS

SEQUENCE OF EVENTS

1 **11** 2 **09** 3 **52** 4 **99** 5 **99** 6 **99**

FIRST HARMFUL EVENT **3** MOST HARMFUL EVENT **3**

NON-COLLISION EVENTS

01 - OVERTURN/ROLLOVER
02 - FIRE/EXPLOSION
03 - IMMERSION
04 - JACKKNIFE
05 - CARGO/EQUIPMENT LOSS OR SHIFT

06 - EQUIPMENT FAILURE (BLOWN TIRE, BRAKE FAILURE, ETC)
07 - SEPARATION OF UNITS
08 - RAN OFF ROAD RIGHT
09 - RAN OFF ROAD LEFT

10 - CROSS MEDIAN
11 - CROSS CENTER LINE OPPOSITE DIRECTION OF TRAVEL
12 - DOWNHILL RUNAWAY
13 - OTHER NON-COLLISION

COLLISION WITH PERSON, VEHICLE OR OBJECT NOT FIXED

14 - PEDESTRIAN
15 - PEDALCYCLE
16 - RAILWAY VEHICLE (TRAIN, ENGINE)
17 - ANIMAL - FARM
18 - ANIMAL - DEER
19 - ANIMAL - OTHER
20 - MOTOR VEHICLE IN TRANSPORT

21 - PARKED MOTOR VEHICLE
22 - WORK ZONE MAINTENANCE EQUIPMENT
23 - STRUCK BY FALLING, SHIFTING CARGO OR ANYTHING SET IN MOTION BY A MOTOR VEHICLE
24 - OTHER MOVABLE OBJECT

25 - IMPACT ATTENUATOR/CRASH CUSHION
26 - BRIDGE OVERHEAD STRUCTURE
27 - BRIDGE PIER OR ABUTMENT
28 - BRIDGE PARAPET
29 - BRIDGE RAIL
30 - GUARDRAIL FACE
31 - GUARDRAIL END
32 - PORTABLE BARRIER

33 - MEDIAN CABLE BARRIER
34 - MEDIAN GUARDRAIL BARRIER
35 - MEDIAN CONCRETE BARRIER
36 - MEDIAN OTHER BARRIER
37 - TRAFFIC SIGN POST
38 - OVERHEAD SIGN POST
39 - LIGHT/LUMINARIES SUPPORT
40 - UTILITY POLE

41 - OTHER POST, POLE OR SUPPORT
42 - CULVERT
43 - CURB
44 - DITCH
45 - EMBANKMENT
46 - FENCE
47 - MAILBOX

48 - TREE
49 - FIRE HYDRANT
50 - WORK ZONE MAINTENANCE EQUIPMENT
51 - WALL, BUILDING, TUNNEL
52 - OTHER FIXED OBJECT

UNIT SPEED
025

POSTED SPEED
50

TRAFFIC CONTROL
12

01 - NO CONTROLS
02 - STOP SIGN
03 - YIELD SIGN
04 - TRAFFIC SIGNAL
05 - TRAFFIC FLASHERS
06 - SCHOOL ZONE

07 - RAILROAD CROSSBUCKS
08 - RAILROAD FLASHERS
09 - RAILROAD GATES
10 - CONSTRUCTION BARRICADE
11 - PERSON (FLAGGER, OFFICER)
12 - PAVEMENT MARKINGS

13 - CROSSWALK LINES
14 - WALK/DON'T WALK
15 - OTHER
16 - NOT REPORTED

UNIT DIRECTION
FROM **2** TO **1**

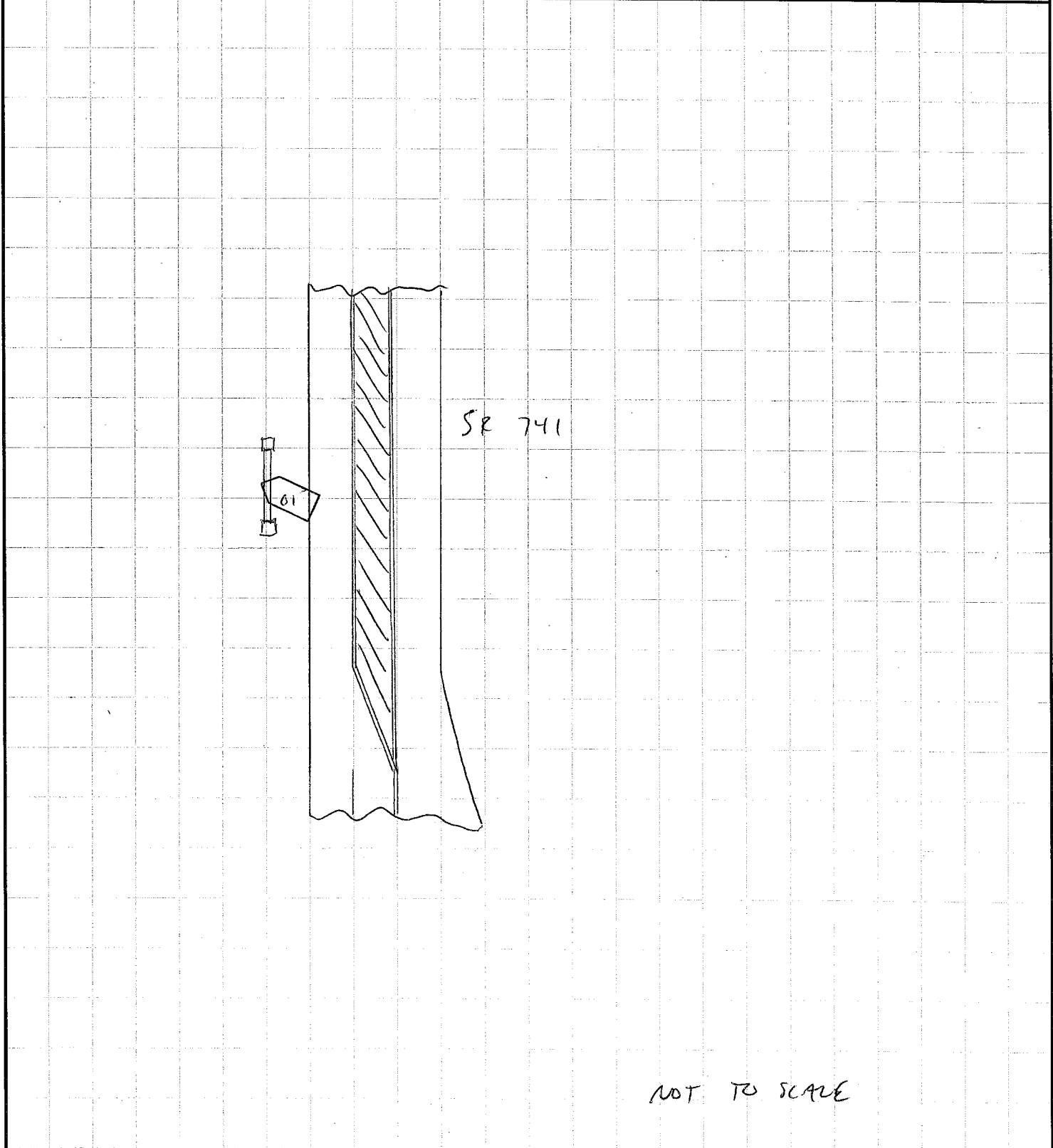
1 - NORTH
2 - SOUTH
3 - EAST
4 - WEST

5 - NORTHEAST
6 - NORTHWEST
7 - SOUTHEAST
8 - SOUTHWEST
9 - UNKNOWN

PAGE OF



LOCAL REPORT NUMBER <i>15-3936</i>	REPORTING AGENCY <i>MASON POLICE</i>	DATE OF CRASH <i>M 02 D 05 Y 15</i>
IN COUNTY OF <i>WARREN</i>	CRASH LOCATION <i>SR 741 NORTH OF CARMELLE WOODS DR</i>	



NOT TO SCALE

OFFICER'S SIGNATURE <i>X [Signature]</i>	BADGE NUMBER <i>1237</i>
---	-----------------------------



TRAFFIC CRASH REPORT

LOCAL REPORT NUMBER *

2015003936

CRASH SEVERITY

1 - FATAL
2 - INJURY
3 - PDO

HIT/SKIP

1 - SOLVED
2 - UNSOLVED

LOCAL INFORMATION

<input type="checkbox"/> PHOTOS TAKEN	<input type="checkbox"/> PDO UNDER STATE REPORTABLE DOLLAR AMOUNT	<input type="checkbox"/> PRIVATE PROPERTY	REPORTING AGENCY NCIC * 08304	REPORTING AGENCY NAME * MASON POLICE	NUMBER OF UNITS 1	UNIT IN ERROR 98 - ANIMAL 99 - UNKNOWN
---------------------------------------	---	---	----------------------------------	---	----------------------	--

COUNTY * 83	CITY * MASON	CITY, VILLAGE, TOWNSHIP * MASON	CRASH DATE * 02052015	TIME OF CRASH	DAY OF WEEK
----------------	-----------------	------------------------------------	--------------------------	---------------	-------------

DEGREES / MINUTES / SECONDS LATITUDE 0 / /	LONGITUDE 0 / /	OR	DECIMAL DEGREES LATITUDE	LONGITUDE
--	--------------------	----	-----------------------------	-----------

ROADWAY DIVISION <input type="checkbox"/> DIVIDED <input type="checkbox"/> UNDIVIDED	DIVIDED LANE DIRECTION OF TRAVEL N - NORTHBOUND E - EASTBOUND S - SOUTHBOUND W - WESTBOUND	NUMBER OF THRU LANES	ROAD TYPES OR MILEPOST ² AL - ALLEY CR - CIRCLE HE - HEIGHTS MP - MILEPOST PL - PLACE ST - STREET WA - WAY AV - AVENUE CT - COURT HW - HIGHWAY PK - PARKWAY RD - ROAD TE - TERRACE BL - BOULEVARD DR - DRIVE LA - LANE PI - PIKE SQ - SQUARE TL - TRAIL
--	--	----------------------	---

LOCATION ROUTE TYPE ¹	LOCATION ROUTE NUMBER	LOC PREFIX N,S, E,W	LOCATION ROAD NAME	LOCATION ROAD TYPE ²	ROUTE TYPES ¹ IR - INTERSTATE ROUTE (INC. TURNPIKE) CR - NUMBERED COUNTY ROUTE US - US ROUTE TR - NUMBERED TOWNSHIP ROUTE SR - STATE ROUTE
----------------------------------	-----------------------	---------------------------	--------------------	---------------------------------	--

DISTANCE FROM REFERENCE <input type="checkbox"/> MILES <input type="checkbox"/> FEET <input type="checkbox"/> YARDS	DIR FROM REF N,S, E,W	REFERENCE ROUTE TYPE ¹	REFERENCE ROUTE NUMBER	REF PREFIX N,S, E,W	REFERENCE NAME (ROAD, MILEPOST, HOUSE #)	REFERENCE ROAD TYPE ²
--	-----------------------------	-----------------------------------	------------------------	---------------------------	--	----------------------------------

REFERENCE POINT USED 1 - INTERSECTION 2 - MILE POST 3 - HOUSE NUMBER	CRASH LOCATION 01 - NOT AN INTERSECTION 02 - FOUR-WAY INTERSECTION 03 - T-INTERSECTION 04 - Y-INTERSECTION 05 - TRAFFIC CIRCLE/ROUNDABOUT	06 - FIVE-POINT, OR MORE 07 - ON RAMP 08 - OFF RAMP 09 - CROSSOVER 10 - DRIVEWAY/ALLEY ACCESS	11 - RAILWAY GRADE CROSSING 12 - SHARED-USE PATHS OR TRAILS 99 - UNKNOWN	<input type="checkbox"/> INTERSECTION RELATED	LOCATION OF FIRST HARMFUL EVENT 1 - ON ROADWAY 5 - ON GORE 2 - ON SHOULDER 6 - OUTSIDE TRAFFICWAY 3 - IN MEDIAN 9 - UNKNOWN 4 - ON ROADSIDE
---	--	---	--	---	---

ROAD CONTOUR 1 - STRAIGHT LEVEL 2 - STRAIGHT GRADE 3 - CURVE LEVEL 4 - CURVE GRADE 9 - UNKNOWN	ROAD CONDITIONS PRIMARY SECONDARY 01 - DRY 05 - SAND, MUD, DIRT, OIL, GRAVEL 09 - RUT, HOLES, BUMPS, UNEVEN PAVEMENT* 02 - WET 06 - WATER (STANDING, MOVING) 10 - OTHER 03 - SNOW 07 - SLUSH 99 - UNKNOWN 04 - ICE 08 - DEBRIS*	* SECONDARY CONDITION ONLY
---	--	----------------------------

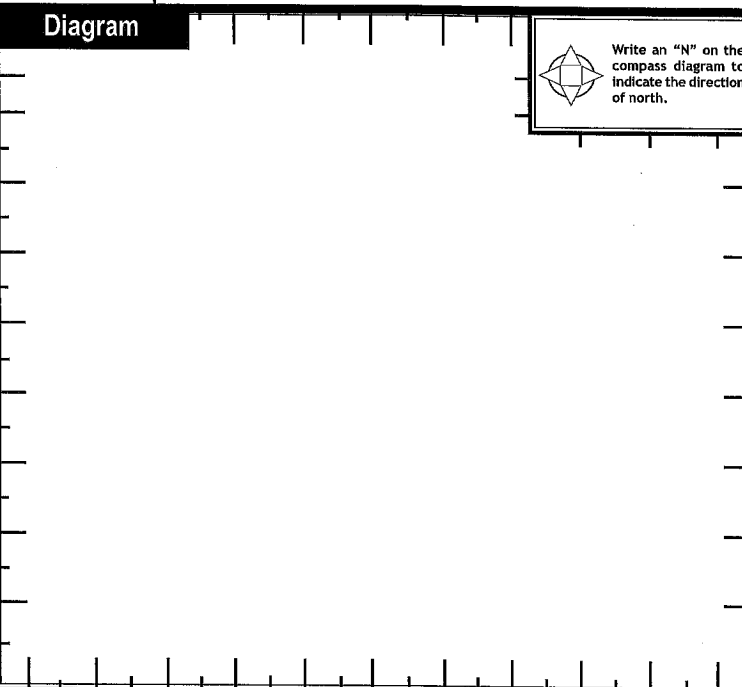
MANNER OF CRASH COLLISION/IMPACT 1 - NOT COLLISION BETWEEN TWO MOTOR VEHICLES IN TRANSPORT 2 - REAR-END 3 - HEAD-ON 4 - REAR-TO-REAR 5 - BACKING 6 - ANGLE 7 - SIDESWIPE, SAME DIRECTION 8 - SIDESWIPE, OPPOSITE DIRECTION 9 - UNKNOWN	WEATHER 1 - CLEAR 4 - RAIN 7 - SEVERE CROSSWINDS 2 - CLOUDY 5 - SLEET, HAIL 8 - BLOWING SAND, SOIL, DIRT, SNOW 3 - FOG, SMOG, SMOKE 6 - SNOW 9 - OTHER/UNKNOWN
---	---

ROAD SURFACE 1 - CONCRETE 4 - SLAG, GRAVEL, STONE 2 - BLACKTOP, BITUMINOUS, ASPHALT 5 - DIRT 3 - BRICK/BLOCK 6 - OTHER	LIGHT CONDITIONS PRIMARY SECONDARY 1 - DAYLIGHT 5 - DARK - ROADWAY NOT LIGHTED 9 - UNKNOWN 2 - DAWN 6 - DARK - UNKNOWN ROADWAY LIGHTING 3 - DUSK 7 - GLARE* 4 - DARK - LIGHTED ROADWAY 8 - OTHER	<input type="checkbox"/> SCHOOL BUS RELATED <input type="checkbox"/> YES, SCHOOL BUS DIRECTLY INVOLVED <input type="checkbox"/> YES, SCHOOL BUS INDIRECTLY INVOLVED
---	---	---

<input type="checkbox"/> WORK ZONE RELATED	<input type="checkbox"/> WORKERS PRESENT <input type="checkbox"/> LAW ENFORCEMENT PRESENT (OFFICER/VEHICLE) <input type="checkbox"/> LAW ENFORCEMENT PRESENT (VEHICLE ONLY)	TYPE OF WORK ZONE 1 - LANE CLOSURE 4 - INTERMITTENT OR MOVING WORK 2 - LANE SHIFT/CROSSOVER 5 - OTHER 3 - WORK ON SHOULDER OR MEDIAN	LOCATION OF CRASH IN WORK ZONE 1 - BEFORE THE FIRST WORK ZONE WARNING SIGN 4 - ACTIVITY AREA 2 - ADVANCE WARNING AREA 5 - TERMINATION AREA 3 - TRANSITION AREA
--	---	---	---

NARRATIVE

SUPPLEMENTED INFORMATION:
CORRECTED YEAR AND VIN
FOR UNIT #1.



REPORT TAKEN BY <input type="checkbox"/> POLICE AGENCY <input type="checkbox"/> MOTORIST	<input checked="" type="checkbox"/> SUPPLEMENT (CORRECTION OR ADDITION TO AN EXISTING REPORT SENT TO ODPS)	DATE CRASH REPORTED	TIME CRASH REPORTED	DISPATCH TIME	ARRIVAL TIME	TIME CLEARED	OTHER INVESTIGATION TIME	TOTAL MINUTES
OFFICER'S NAME * FITZGERALD	OFFICER'S BADGE NUMBER 37	CHECKED BY 55	PAGE OF					



UNIT

LOCAL REPORT NUMBER

UNIT NUMBER 01	OWNER NAME: LAST, FIRST, MIDDLE (<input type="checkbox"/> SAME AS DRIVER)	OWNER PHONE NUMBER - INC. AREA CODE (<input type="checkbox"/> SAME AS DRIVER)	DAMAGE SCALE <input type="checkbox"/> 1 - NONE <input type="checkbox"/> 2 - MINOR <input type="checkbox"/> 3 - FUNCTIONAL <input type="checkbox"/> 4 - DISABLING <input type="checkbox"/> 9 - UNKNOWN	DAMAGED AREA
OWNER ADDRESS: CITY, STATE, ZIP (<input type="checkbox"/> SAME AS DRIVER)				
LP STATE	LICENSE PLATE NUMBER	VEHICLE IDENTIFICATION NUMBER 1FMZU73EXX22B25609	# OCCUPANTS	
VEHICLE YEAR 2002	VEHICLE MAKE FORD	VEHICLE MODEL EXPLORER	VEHICLE COLOR	
<input type="checkbox"/> PROOF OF INSURANCE SHOWN	INSURANCE COMPANY	POLICY NUMBER	TOWED BY	
CARRIER NAME, ADDRESS, CITY, STATE, ZIP				CARRIER PHONE- INCLUDE AREA CODE

US DOT	VEHICLE WEIGHT GVWR/GCWR <input type="checkbox"/> 1 - LESS THAN OR EQUAL TO 10K LBS. <input type="checkbox"/> 2 - 10,001 TO 26,000 LBS. <input type="checkbox"/> 3 - MORE THAN 26,000 LBS.	CARGO BODY TYPE <input type="checkbox"/> 01 - NO CARGO BODY TYPE/NOT APPLICABLE <input type="checkbox"/> 02 - BUS/VAN (9-15 SEATS, INC DRIVER) <input type="checkbox"/> 03 - BUS (16+ SEATS, INC DRIVER) <input type="checkbox"/> 04 - VEHICLE TOWING ANOTHER VEHICLE <input type="checkbox"/> 05 - LOGGING <input type="checkbox"/> 06 - INTERMODAL CONTAINER CHASSIS <input type="checkbox"/> 07 - CARGO VAN/ENCLOSED BOX <input type="checkbox"/> 08 - GRAIN, CHIPS, GRAVEL <input type="checkbox"/> 09 - POLE <input type="checkbox"/> 10 - CARGO TANK <input type="checkbox"/> 11 - FLAT BED <input type="checkbox"/> 12 - DUMP <input type="checkbox"/> 13 - CONCRETE MIXER <input type="checkbox"/> 14 - AUTO TRANSPORTER <input type="checkbox"/> 15 - GARBAGE/REFUSE <input type="checkbox"/> 99 - OTHER/UNKNOWN	TRAFFICWAY DESCRIPTION <input type="checkbox"/> 1 - TWO-WAY, NOT DIVIDED <input type="checkbox"/> 2 - TWO-WAY, NOT DIVIDED, CONTINUOUS LEFT TURN LANE <input type="checkbox"/> 3 - TWO-WAY, DIVIDED, UNPROTECTED (PAINTED OR GRASS >4 FT.) MEDIAN <input type="checkbox"/> 4 - TWO-WAY, DIVIDED, POSITIVE MEDIAN BARRIER <input type="checkbox"/> 5 - ONE-WAY TRAFFICWAY <input type="checkbox"/> HIT / SKIP UNIT	
HM PLACARD ID No.	<input type="checkbox"/> HAZARDOUS MATERIAL RELEASED			
HM CLASS NUMBER				

NON-MOTORIST LOCATION PRIOR TO IMPACT <input type="checkbox"/> 01 - INTERSECTION - MARKED CROSSWALK <input type="checkbox"/> 02 - INTERSECTION - NO CROSSWALK <input type="checkbox"/> 03 - INTERSECTION - OTHER <input type="checkbox"/> 04 - MIDDLEBLOCK - MARKED CROSSWALK <input type="checkbox"/> 05 - TRAVEL LANE - OTHER LOCATION <input type="checkbox"/> 06 - BICYCLE LANE <input type="checkbox"/> 07 - SHOULDER/ROADSIDE <input type="checkbox"/> 08 - SIDEWALK <input type="checkbox"/> 09 - MEDIAN/CROSSING ISLAND <input type="checkbox"/> 10 - DRIVEWAY ACCESS <input type="checkbox"/> 11 - SHARED-USE PATH OR TRAIL <input type="checkbox"/> 12 - NON-TRAFFICWAY AREA <input type="checkbox"/> 99 - OTHER/UNKNOWN	TYPE OF USE <input type="checkbox"/> 1 - PERSONAL <input type="checkbox"/> 2 - COMMERCIAL <input type="checkbox"/> 3 - GOVERNMENT <input type="checkbox"/> IN EMERGENCY RESPONSE	UNIT TYPE <input type="checkbox"/> 99 - UNKNOWN OR HIT / SKIP	PASSENGER VEHICLES (LESS THAN 9 PASSENGERS) <input type="checkbox"/> 01 - SUB-COMPACT <input type="checkbox"/> 02 - COMPACT <input type="checkbox"/> 03 - MID SIZE <input type="checkbox"/> 04 - FULL SIZE <input type="checkbox"/> 05 - MINIVAN <input type="checkbox"/> 06 - SPORT UTILITY VEHICLE <input type="checkbox"/> 07 - PICKUP <input type="checkbox"/> 08 - VAN <input type="checkbox"/> 09 - MOTORCYCLE <input type="checkbox"/> 10 - MOTORIZED BICYCLE <input type="checkbox"/> 11 - SNOWMOBILE/ATV <input type="checkbox"/> 12 - OTHER PASSENGER VEHICLE	MED/HEAVY TRUCKS OR COMBO UNITS > 10K LBS <input type="checkbox"/> 13 - SINGLE UNIT TRUCK OR VAN 2AXLE, 6 TIRES <input type="checkbox"/> 14 - SINGLE UNIT TRUCK; 3+ AXLES <input type="checkbox"/> 15 - SINGLE UNIT TRUCK / TRAILER <input type="checkbox"/> 16 - TRUCK/TRACTOR (BOBTAIL) <input type="checkbox"/> 17 - TRACTOR/SEMI-TRAILER <input type="checkbox"/> 18 - TRACTOR/DOUBLE <input type="checkbox"/> 19 - TRACTOR/TRIPLES <input type="checkbox"/> 20 - OTHER MED/HEAVY VEHICLE	BUS/VAN/LIMO (9 OR MORE INCLUDING DRIVER) <input type="checkbox"/> 21 - BUS/VAN (9-15 SEATS, INC DRIVER) <input type="checkbox"/> 22 - BUS (16+ SEATS, INC DRIVER) NON-MOTORIST <input type="checkbox"/> 23 - ANIMAL WITH RIDER <input type="checkbox"/> 24 - ANIMAL WITH BUGGY, WAGON, SURREY <input type="checkbox"/> 25 - BICYCLE/PEDALCYCLIST <input type="checkbox"/> 26 - PEDESTRIAN/SKATER <input type="checkbox"/> 27 - OTHER NON-MOTORIST
<input type="checkbox"/> HAS HM PLACARD					

SPECIAL FUNCTION <input type="checkbox"/> 01 - NONE <input type="checkbox"/> 02 - TAXI <input type="checkbox"/> 03 - RENTAL TRUCK (OVER 10K LBS) <input type="checkbox"/> 04 - BUS - SCHOOL (PUBLIC OR PRIVATE) <input type="checkbox"/> 05 - BUS - TRANSIT <input type="checkbox"/> 06 - BUS - CHARTER <input type="checkbox"/> 07 - BUS - SHUTTLE <input type="checkbox"/> 08 - BUS - OTHER	<input type="checkbox"/> 09 - AMBULANCE <input type="checkbox"/> 10 - FIRE <input type="checkbox"/> 11 - HIGHWAY/MAINTENANCE <input type="checkbox"/> 12 - MILITARY <input type="checkbox"/> 13 - POLICE <input type="checkbox"/> 14 - PUBLIC UTILITY <input type="checkbox"/> 15 - OTHER GOVERNMENT <input type="checkbox"/> 16 - CONSTRUCTION EQUIP.	<input type="checkbox"/> 17 - FARM VEHICLE <input type="checkbox"/> 18 - FARM EQUIPMENT <input type="checkbox"/> 19 - MOTORHOME <input type="checkbox"/> 20 - GOLF CART <input type="checkbox"/> 21 - TRAIN <input type="checkbox"/> 22 - OTHER (EXPLAIN IN NARRATIVE)	MOST DAMAGED AREA <input type="checkbox"/> 01 - NONE <input type="checkbox"/> 02 - CENTER FRONT <input type="checkbox"/> 03 - RIGHT FRONT <input type="checkbox"/> 04 - RIGHT SIDE <input type="checkbox"/> 05 - RIGHT REAR <input type="checkbox"/> 06 - REAR CENTER <input type="checkbox"/> 07 - LEFT REAR	<input type="checkbox"/> 08 - LEFT SIDE <input type="checkbox"/> 09 - LEFT FRONT <input type="checkbox"/> 10 - TOP AND WINDOWS <input type="checkbox"/> 11 - UNDERCARRIAGE <input type="checkbox"/> 12 - LOAD/TRAILER <input type="checkbox"/> 13 - TOTAL(ALL AREAS) <input type="checkbox"/> 14 - OTHER	<input type="checkbox"/> 99 - UNKNOWN	ACTION <input type="checkbox"/> 1 - NON-CONTACT <input type="checkbox"/> 2 - NON-COLLISION <input type="checkbox"/> 3 - STRIKING <input type="checkbox"/> 4 - STRUCK <input type="checkbox"/> 5 - STRIKING/STRUCK <input type="checkbox"/> 9 - UNKNOWN
---	---	---	--	--	---------------------------------------	--

PRE-CRASH ACTIONS <input type="checkbox"/> 99 - UNKNOWN	MOTORIST <input type="checkbox"/> 01 - STRAIGHT AHEAD <input type="checkbox"/> 02 - BACKING <input type="checkbox"/> 03 - CHANGING LANES <input type="checkbox"/> 04 - OVERTAKING/PASSING <input type="checkbox"/> 05 - MAKING RIGHT TURN <input type="checkbox"/> 06 - MAKING LEFT TURN	<input type="checkbox"/> 07 - MAKING U-TURN <input type="checkbox"/> 08 - ENTERING TRAFFIC LANE <input type="checkbox"/> 09 - LEAVING TRAFFIC LANE <input type="checkbox"/> 10 - PARKED <input type="checkbox"/> 11 - SLOWING OR STOPPED IN TRAFFIC <input type="checkbox"/> 12 - DRIVERLESS	<input type="checkbox"/> 13 - NEGOTIATING A CURVE <input type="checkbox"/> 14 - OTHER MOTORIST ACTION	NON-MOTORIST <input type="checkbox"/> 15 - ENTERING OR CROSSING SPECIFIED LOCATION <input type="checkbox"/> 16 - WALKING, RUNNING, JOGGING, PLAYING, CYCLING <input type="checkbox"/> 17 - WORKING <input type="checkbox"/> 18 - PUSHING VEHICLE <input type="checkbox"/> 19 - APPROACHING OR LEAVING VEHICLE <input type="checkbox"/> 20 - STANDING	<input type="checkbox"/> 21 - OTHER NON-MOTORIST ACTION
--	--	---	--	--	---

CONTRIBUTING CIRCUMSTANCES <input type="checkbox"/> 99 - UNKNOWN	MOTORIST <input type="checkbox"/> 01 - NONE <input type="checkbox"/> 02 - FAILURE TO YIELD <input type="checkbox"/> 03 - RAN RED LIGHT <input type="checkbox"/> 04 - RAN STOP SIGN <input type="checkbox"/> 05 - EXCEEDED SPEED LIMIT <input type="checkbox"/> 06 - UNSAFE SPEED <input type="checkbox"/> 07 - IMPROPER TURN <input type="checkbox"/> 08 - LEFT OF CENTER <input type="checkbox"/> 09 - FOLLOWED TOO CLOSELY/ACDA <input type="checkbox"/> 10 - IMPROPER LANE CHANGE /PASSING/OFF ROAD	<input type="checkbox"/> 11 - IMPROPER BACKING <input type="checkbox"/> 12 - IMPROPER START FROM PARKED POSITION <input type="checkbox"/> 13 - STOPPED OR PARKED ILLEGALLY <input type="checkbox"/> 14 - OPERATING VEHICLE IN NEGLIGENT MANNER <input type="checkbox"/> 15 - SWERVING TO AVOID (DUE TO EXTERNAL CONDITIONS) <input type="checkbox"/> 16 - WRONG SIDE/WRONG WAY <input type="checkbox"/> 17 - FAILURE TO CONTROL <input type="checkbox"/> 18 - VISION OBSTRUCTION <input type="checkbox"/> 19 - OPERATING DEFECTIVE EQUIPMENT <input type="checkbox"/> 20 - LOAD SHIFTING/FALLING/SPILLING <input type="checkbox"/> 21 - OTHER IMPROPER ACTION	NON-MOTORIST <input type="checkbox"/> 22 - NONE <input type="checkbox"/> 23 - IMPROPER CROSSING <input type="checkbox"/> 24 - DARTING <input type="checkbox"/> 25 - LYING AND/OR ILLEGALLY IN ROADWAY <input type="checkbox"/> 26 - FAILURE TO YIELD RIGHT OF WAY <input type="checkbox"/> 27 - NOT VISIBLE (DARK CLOTHING) <input type="checkbox"/> 28 - INATTENTIVE <input type="checkbox"/> 29 - FAILURE TO OBEY TRAFFIC SIGNS /SIGNALS/OFFICER <input type="checkbox"/> 30 - WRONG SIDE OF THE ROAD <input type="checkbox"/> 31 - OTHER NON-MOTORIST ACTION	VEHICLE DEFECTS <input type="checkbox"/> 01 - TURN SIGNALS <input type="checkbox"/> 02 - HEAD LAMPS <input type="checkbox"/> 03 - TAIL LAMPS <input type="checkbox"/> 04 - BRAKES <input type="checkbox"/> 05 - STEERING <input type="checkbox"/> 06 - TIRE BLOWOUT <input type="checkbox"/> 07 - WORN OR SLICK TIRES <input type="checkbox"/> 08 - TRAILER EQUIPMENT DEFECTIVE <input type="checkbox"/> 09 - MOTOR TROUBLE <input type="checkbox"/> 10 - DISABLED FROM PRIOR ACCIDENT <input type="checkbox"/> 11 - OTHER DEFECTS
---	--	---	---	---

SEQUENCE OF EVENTS 1 <input type="checkbox"/> 2 <input type="checkbox"/> 3 <input type="checkbox"/> 4 <input type="checkbox"/> 5 <input type="checkbox"/> 6 <input type="checkbox"/> FIRST HARMFUL EVENT <input type="checkbox"/> MOST HARMFUL EVENT <input type="checkbox"/>	NON-COLLISION EVENTS <input type="checkbox"/> 01 - OVERTURN/ROLLOVER <input type="checkbox"/> 02 - FIRE/EXPLOSION <input type="checkbox"/> 03 - IMMERSION <input type="checkbox"/> 04 - JACKKNIFE <input type="checkbox"/> 05 - CARGO/EQUIPMENT LOSS OR SHIFT <input type="checkbox"/> 06 - EQUIPMENT FAILURE (BLOWN TIRE, BRAKE FAILURE, ETC) <input type="checkbox"/> 07 - SEPARATION OF UNITS <input type="checkbox"/> 08 - RAN OFF ROAD RIGHT <input type="checkbox"/> 09 - RAN OFF ROAD LEFT <input type="checkbox"/> 10 - CROSS MEDIAN <input type="checkbox"/> 11 - CROSS CENTER LINE OPPOSITE DIRECTION OF TRAVEL <input type="checkbox"/> 12 - DOWNHILL RUNAWAY <input type="checkbox"/> 13 - OTHER NON-COLLISION
---	---

COLLISION WITH PERSON, VEHICLE OR OBJECT NOT FIXED <input type="checkbox"/> 14 - PEDESTRIAN <input type="checkbox"/> 15 - PEDALCYCLE <input type="checkbox"/> 16 - RAILWAY VEHICLE (TRAIN, ENGINE) <input type="checkbox"/> 17 - ANIMAL - FARM <input type="checkbox"/> 18 - ANIMAL - DEER <input type="checkbox"/> 19 - ANIMAL - OTHER <input type="checkbox"/> 20 - MOTOR VEHICLE IN TRANSPORT	<input type="checkbox"/> 21 - PARKED MOTOR VEHICLE <input type="checkbox"/> 22 - WORK ZONE MAINTENANCE EQUIPMENT <input type="checkbox"/> 23 - STRUCK BY FALLING, SHIFTING CARGO OR ANYTHING SET IN MOTION BY A MOTOR VEHICLE <input type="checkbox"/> 24 - OTHER MOVABLE OBJECT	COLLISION WITH FIXED OBJECT <input type="checkbox"/> 25 - IMPACT ATTENUATOR/CRASH CUSHION <input type="checkbox"/> 26 - BRIDGE OVERHEAD STRUCTURE <input type="checkbox"/> 27 - BRIDGE PIER OR ABUTMENT <input type="checkbox"/> 28 - BRIDGE PARAPET <input type="checkbox"/> 29 - BRIDGE RAIL <input type="checkbox"/> 30 - GUARDRAIL FACE <input type="checkbox"/> 31 - GUARDRAIL END <input type="checkbox"/> 32 - PORTABLE BARRIER <input type="checkbox"/> 33 - MEDIAN CABLE BARRIER <input type="checkbox"/> 34 - MEDIAN GUARDRAIL BARRIER <input type="checkbox"/> 35 - MEDIAN CONCRETE BARRIER <input type="checkbox"/> 36 - MEDIAN OTHER BARRIER <input type="checkbox"/> 37 - TRAFFIC SIGN POST <input type="checkbox"/> 38 - OVERHEAD SIGN POST <input type="checkbox"/> 39 - LIGHT/LUMINARIES SUPPORT <input type="checkbox"/> 40 - UTILITY POLE <input type="checkbox"/> 41 - OTHER POST, POLE OR SUPPORT <input type="checkbox"/> 42 - CULVERT <input type="checkbox"/> 43 - CURB <input type="checkbox"/> 44 - DITCH <input type="checkbox"/> 45 - EMBANKMENT <input type="checkbox"/> 46 - FENCE <input type="checkbox"/> 47 - MAILBOX <input type="checkbox"/> 48 - TREE <input type="checkbox"/> 49 - FIRE HYDRANT <input type="checkbox"/> 50 - WORK ZONE MAINTENANCE EQUIPMENT <input type="checkbox"/> 51 - WALL, BUILDING, TUNNEL <input type="checkbox"/> 52 - OTHER FIXED OBJECT
---	---	--

UNIT SPEED <input type="checkbox"/> STATED <input type="checkbox"/> ESTIMATED	POSTED SPEED	TRAFFIC CONTROL <input type="checkbox"/> 01 - NO CONTROLS <input type="checkbox"/> 02 - STOP SIGN <input type="checkbox"/> 03 - YIELD SIGN <input type="checkbox"/> 04 - TRAFFIC SIGNAL <input type="checkbox"/> 05 - TRAFFIC FLASHERS <input type="checkbox"/> 06 - SCHOOL ZONE <input type="checkbox"/> 07 - RAILROAD CROSSBUCKS <input type="checkbox"/> 08 - RAILROAD FLASHERS <input type="checkbox"/> 09 - RAILROAD GATES <input type="checkbox"/> 10 - CONSTRUCTION BARRICADE <input type="checkbox"/> 11 - PERSON (FLAGGER, OFFICER) <input type="checkbox"/> 12 - PAVEMENT MARKINGS <input type="checkbox"/> 13 - CROSSWALK LINES <input type="checkbox"/> 14 - WALK/DON'T WALK <input type="checkbox"/> 15 - OTHER <input type="checkbox"/> 16 - NOT REPORTED	UNIT DIRECTION FROM <input type="checkbox"/> TO <input type="checkbox"/> <input type="checkbox"/> 1 - NORTH <input type="checkbox"/> 2 - SOUTH <input type="checkbox"/> 3 - EAST <input type="checkbox"/> 4 - WEST <input type="checkbox"/> 5 - NORTHEAST <input type="checkbox"/> 6 - NORTHWEST <input type="checkbox"/> 7 - SOUTHEAST <input type="checkbox"/> 8 - SOUTHWEST <input type="checkbox"/> 9 - UNKNOWN
---	--------------	---	---