



# TRAFFIC CRASH REPORT

LOCAL REPORT NUMBER *	CRASH SEVERITY	HIT/SKIP
2013-113258	3 1 - FATAL 2 - INJURY 3 - PDO	1 - SOLVED 2 - UNSOLVED

PHOTOS TAKEN <input checked="" type="checkbox"/> OH-2 <input type="checkbox"/> OH-1P <input type="checkbox"/> OH-3 <input type="checkbox"/> OTHER	PDO UNDER STATE REPORTABLE DOLLAR AMOUNT	PRIVATE PROPERTY	REPORTING AGENCY NCIC *	REPORTING AGENCY NAME *	NUMBER OF UNITS	UNIT IN ERROR
			8304	MASON POLICE	03	01 98 - ANIMAL 99 - UNKNOWN

COUNTY *	CITY *	CITY, VILLAGE, TOWNSHIP *	CRASH DATE *	TIME OF CRASH	DAY OF WEEK
83		MASON	05/02/2013	1551	FRI

DEGREES / MINUTES / SECONDS LATITUDE	LONGITUDE	DECIMAL DEGREES LATITUDE	LONGITUDE
39° 22' 40.91"	-84° 17' 17.61"		

ROADWAY DIVISION	DIVIDED LANE DIRECTION OF TRAVEL	NUMBER OF THRU LANES	ROAD TYPES OR MILEPOST <sup>2</sup>
<input type="checkbox"/> DIVIDED <input checked="" type="checkbox"/> UNDIVIDED	<input type="checkbox"/> N - NORTHBOUND E - EASTBOUND <input type="checkbox"/> S - SOUTHBOUND W - WESTBOUND	01	AL - ALLEY CR - CIRCLE HE - HEIGHTS MP - MILEPOST PL - PLACE ST - STREET WA - WAY AV - AVENUE CT - COURT HW - HIGHWAY PK - PARKWAY RD - ROAD TE - TERRACE BL - BOULEVARD DR - DRIVE LA - LAKE PL - PIKE SQ - SQUARE TL - TRAIL

LOCATION ROUTE NUMBER	LOCATION ROAD NAME	ROUTE TYPES <sup>1</sup>
SR 741	BETHANY	IR - INTERSTATE ROUTE (INC. TURNPIKE) CR - NUMBERED COUNTY ROUTE US - US ROUTE TR - NUMBERED TOWNSHIP ROUTE SR - STATE ROUTE

DISTANCE FROM REFERENCE	DIR FROM REF	REFERENCE ROUTE NUMBER	REFERENCE NAME (ROAD, MILEPOST, HOUSE #)	REFERENCE ROAD TYPE <sup>2</sup>
200	N		BETHANY	PA

REFERENCE POINT USED	CRASH LOCATION	INTERSECTION RELATED	LOCATION OF FIRST HARMFUL EVENT
1 - INTERSECTION 2 - MILE POST 3 - HOUSE NUMBER	01 - NOT AN INTERSECTION 02 - FOUR-WAY INTERSECTION 03 - T-INTERSECTION 04 - Y-INTERSECTION 05 - TRAFFIC CIRCLE/ROUNDBOAT 06 - FIVE-POINT, OR MORE 07 - ON RAMP 08 - OFF RAMP 09 - CROSSOVER 10 - DRIVEWAY/ALLEY ACCESS 11 - RAILWAY GRADE CROSSING 12 - SHARED-USE PATHS OR TRAILS 99 - UNKNOWN	<input checked="" type="checkbox"/>	1 - ON ROADWAY 5 - ON GORE 2 - ON SHOULDER 6 - OUTSIDE TRAFFICWAY 3 - IN MEDIAN 9 - UNKNOWN 4 - ON ROADSIDE

ROAD CONTOUR	ROAD CONDITIONS	WEATHER
1 - STRAIGHT LEVEL 2 - STRAIGHT GRADE 3 - CURVE LEVEL 4 - CURVE GRADE 9 - UNKNOWN	01 - DRY 02 - WET 03 - SNOW 04 - ICE 05 - SAND, MUD, DIRT, OIL, GRAVEL 06 - WATER (STANDING, MOVING) 07 - SLUSH 08 - DEBRIS* 09 - RUT, HOLES, BUMPS, UNEVEN PAVEMENT* 10 - OTHER 99 - UNKNOWN	1 - CLEAR 2 - CLOUDY 3 - FOG, SMOG, SMOKE 4 - RAIN 5 - SLEET, HAIL 6 - SNOW 7 - SEVERE CROSSWINDS 8 - BLOWING SAND, SOIL, DIRT, SNOW 9 - OTHER/UNKNOWN

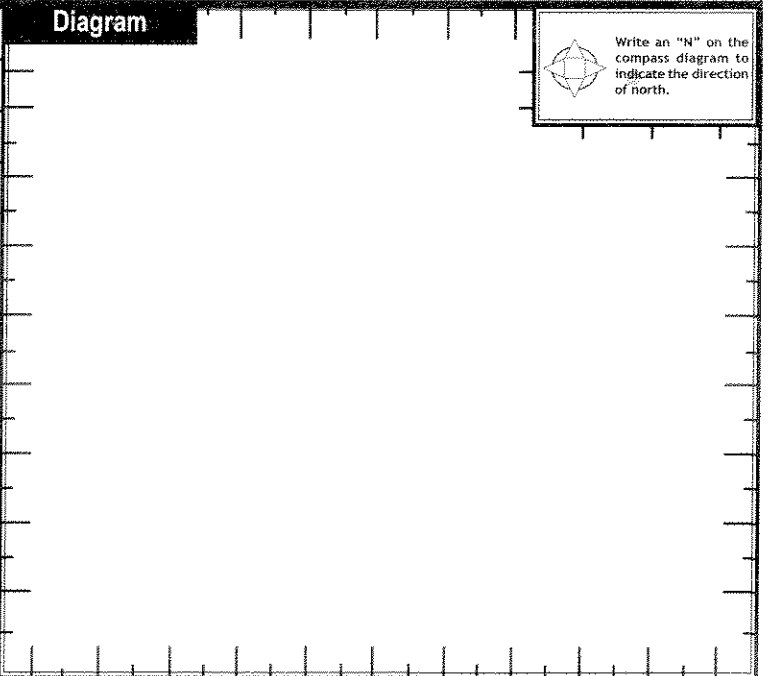
MANNER OF CRASH COLLECTION/IMPACT	WEATHER
1 - NOT COLLISION BETWEEN TWO MOTOR VEHICLES IN TRANSPORT 2 - REAR-END 3 - HEAD-ON 4 - REAR-TO-REAR 5 - BACKING 6 - ANGLE 7 - SIDESWIPE, SAME DIRECTION 8 - SIDESWIPE, OPPOSITE DIRECTION 9 - UNKNOWN	4

ROAD SURFACE	LIGHT CONDITIONS	SCHOOL BUS RELATED
1 - CONCRETE 2 - BLACKTOP, BITUMINOUS, ASPHALT 3 - BRICK/BLOCK 4 - SLAG, GRAVEL, STONE 5 - DIRT 6 - OTHER	1 - DAYLIGHT 2 - DAWN 3 - DUSK 4 - DARK - LIGHTED ROADWAY 5 - DARK - ROADWAY NOT LIGHTED 6 - DARK - UNKNOWN ROADWAY LIGHTING 7 - GLARE* 8 - OTHER 9 - UNKNOWN	<input type="checkbox"/> SCHOOL ZONE RELATED <input type="checkbox"/> YES, SCHOOL BUS DIRECTLY INVOLVED <input type="checkbox"/> YES, SCHOOL BUS INDIRECTLY INVOLVED

WORK ZONE RELATED	WORKERS PRESENT	TYPE OF WORK ZONE	LOCATION OF CRASH IN WORK ZONE
<input type="checkbox"/>	<input type="checkbox"/> LAW ENFORCEMENT PRESENT (VEHICLE ONLY) <input type="checkbox"/> LAW ENFORCEMENT PRESENT (VEHICLE ONLY)	1 - LANE CLOSURE 2 - LANE SHIFT/CROSSOVER 3 - WORK ON SHOULDER OR MEDIAN 4 - INTERMITTENT OR MOVING WORK 5 - OTHER	1 - BEFORE THE FIRST WORK ZONE WARNING SIGN 2 - ADVANCE WARNING AREA 3 - TRANSITION AREA 4 - ACTIVITY AREA 5 - TERMINATION AREA

NARRATIVE

UNIT #02 WAS STAGED IN TRAFFIC FACING SOUTHBOUND ON SR 741 NORTH OF BETHANY RD. UNIT #01 WAS TRAVELLING SOUTHBOUND ON SR 741 APPROACHING UNIT #02, FAILED TO ASSURE A CLEAR DISTANCE AHEAD, AND STRUCK UNIT #02 IN THE REAR.



REPORT TAKEN BY	SUPPLEMENT (CORRECTION OR ADDITION TO AN EXISTING REPORT SENT TO GDPS)	DATE CRASH REPORTED	TIME CRASH REPORTED	DISPATCH TIME	ARRIVAL TIME	TIME CLEARED	OTHER INVESTIGATION TIME	TOTAL MINUTES
Police Agency		05/10/2013	1551	1554	1601	1636	30	72
Officer's Name *	Officer's Badge Number	Checked By	PAGE 1 OF 4					
ERIC FITZGERALD	1237	[Signature]						



# MOTORIST / NON-MOTORIST / OCCUPANT

LOCAL REPORT NUMBER

70113-1132518

UNIT NUMBER 011	NAME: LAST, FIRST, MIDDLE BIERMAN HEATHER M	DATE OF BIRTH 04/22/1981	AGE 32	GENDER F - FEMALE M - MALE
--------------------	--	-----------------------------	-----------	----------------------------------

ADDRESS, CITY, STATE, ZIP 2 ARLINGTON DR FRANKLIN OH 45005	CONTACT PHONE - INCLUDE AREA CODE 513-227-5443
---	---

INJURIES 1	INJURED TAKEN BY	EMS AGENCY	MEDICAL FACILITY INJURED TAKEN TO	SAFETY EQUIPMENT USED 04	DOT COMPLIANT <input type="checkbox"/> MOTORCYCLE HELMET	SEATING POSITION 01	AIR BAG USAGE 1	EJECTION 1	TRAPPED 1
---------------	------------------	------------	-----------------------------------	-----------------------------	---	------------------------	--------------------	---------------	--------------

OL STATE OH	OPERATOR LICENSE NUMBER BA219337	OL CLASS 4	No <input type="checkbox"/> VALID OL	M/C <input type="checkbox"/> END.	CONDITION 1	ALCOHOL/DRUG SUSPECTED 1	ALCOHOL TEST STATUS 1	ALCOHOL TEST TYPE 1	ALCOHOL TEST VALUE	DRUG TEST STATUS 1	DRUG TEST TYPE 1
----------------	-------------------------------------	---------------	--------------------------------------	-----------------------------------	----------------	-----------------------------	--------------------------	------------------------	--------------------	-----------------------	---------------------

OFFENSE CHARGED ( <input checked="" type="checkbox"/> LOCAL CODE) JJ3.03	OFFENSE DESCRIPTION ACDA	CITATION NUMBER 7475	HANDS-FREE <input type="checkbox"/> DEVICE USED	DRIVER DISTRACTED BY 4
---	-----------------------------	-------------------------	---	---------------------------

UNIT NUMBER 012	NAME: LAST, FIRST, MIDDLE YEARY MARY C	DATE OF BIRTH 11/06/1983	AGE 29	GENDER F - FEMALE M - MALE
--------------------	---	-----------------------------	-----------	----------------------------------

ADDRESS, CITY, STATE, ZIP 745 CENTER ST MILFORD OH 45750	CONTACT PHONE - INCLUDE AREA CODE 513-265-2602
---	---

INJURIES 1	INJURED TAKEN BY	EMS AGENCY	MEDICAL FACILITY INJURED TAKEN TO	SAFETY EQUIPMENT USED 04	DOT COMPLIANT <input type="checkbox"/> MOTORCYCLE HELMET	SEATING POSITION 01	AIR BAG USAGE 1	EJECTION 1	TRAPPED 1
---------------	------------------	------------	-----------------------------------	-----------------------------	---	------------------------	--------------------	---------------	--------------

OL STATE OH	OPERATOR LICENSE NUMBER BZ777462	OL CLASS 4	No <input type="checkbox"/> VALID OL	M/C <input type="checkbox"/> END.	CONDITION 1	ALCOHOL/DRUG SUSPECTED 1	ALCOHOL TEST STATUS 1	ALCOHOL TEST TYPE 1	ALCOHOL TEST VALUE	DRUG TEST STATUS 1	DRUG TEST TYPE 1
----------------	-------------------------------------	---------------	--------------------------------------	-----------------------------------	----------------	-----------------------------	--------------------------	------------------------	--------------------	-----------------------	---------------------

OFFENSE CHARGED ( <input type="checkbox"/> LOCAL CODE)	OFFENSE DESCRIPTION	CITATION NUMBER	HANDS-FREE <input type="checkbox"/> DEVICE USED	DRIVER DISTRACTED BY
--	---------------------	-----------------	---	----------------------

<b>INJURIES</b> 1 - NO INJURY / NONE REPORTED 2 - POSSIBLE 3 - NON-INCAPACITATING 4 - INCAPACITATING 5 - FATAL	<b>INJURED TAKEN BY</b> 1 - NOT TRANSPORTED / TREATED AT SCENE 2 - EMS 3 - POLICE 4 - OTHER 9 - UNKNOWN	<b>SAFETY EQUIPMENT USED</b> <b>MOTORIST</b> 01 - NONE USED - VEHICLE OCCUPANT 02 - SHOULDER BELT ONLY USED 03 - LAP BELT ONLY USED 04 - SHOULDER AND LAP BELT USED <b>NON-MOTORIST</b> 05 - CHILD RESTRAINT SYSTEM - FORWARD FACING 06 - CHILD RESTRAINT SYSTEM - REAR FACING 07 - BOOSTER SEAT 08 - HELMET USED 99 - UNKNOWN SAFETY EQUIPMENT	<b>Non-Motorist</b> 09 - NONE USED 10 - HELMET USED 11 - PROTECTIVE PADS USED (ELBOWS, KNEES, ETC.) 12 - REFLECTIVE CLOTHING 13 - LIGHTING 14 - OTHER
---	--	--	---

<b>SEATING POSITION</b> 01 - FRONT - LEFT SIDE (MOTORCYCLE DRIVER) 02 - FRONT - MIDDLE 03 - FRONT - RIGHT SIDE 04 - SECOND - LEFT SIDE (MOTORCYCLE PASSENGER) 05 - SECOND - MIDDLE 06 - SECOND - RIGHT SIDE 07 - THIRD - LEFT SIDE (MOTORCYCLE SIDE CAR) 08 - THIRD - MIDDLE 09 - THIRD - RIGHT SIDE 10 - SLEEPER SECTION OF CAB (TRUCK) 11 - PASSENGER IN OTHER ENCLOSED CARGO AREA (NON-TANKING UNIT SUCH AS A BUS, PICKUP WITH CAP) 12 - PASSENGER IN UNENCLOSED CARGO AREA 13 - TRAILING UNIT 14 - RIDING ON VEHICLE EXTERIOR (NON-TRAILING UNIT) 15 - NON-MOTORIST 16 - OTHER 99 - UNKNOWN	<b>AIR BAG USAGE</b> 1 - NOT DEPLOYED 2 - DEPLOYED FRONT 3 - DEPLOYED SIDE 4 - DEPLOYED BOTH FRONT/SIDE 5 - NOT APPLICABLE 9 - DEPLOYMENT UNKNOWN
--	---

<b>EJECTION</b> 1 - NOT EJECTED 2 - TOTALLY EJECTED 3 - PARTIALLY EJECTED 4 - NOT APPLICABLE	<b>TRAPPED</b> 1 - NOT TRAPPED 2 - EXTRICATED BY MECHANICAL MEANS 3 - EXTRICATED BY NON-MECHANICAL MEANS	<b>OPERATOR LICENSE CLASS</b> 1 - CLASS A 2 - CLASS B 3 - CLASS C 4 - REGULAR CLASS (OH'S "D") 5 - MC/MOPED ONLY	<b>CONDITION</b> 1 - APPARENTLY NORMAL 2 - PHYSICAL IMPAIRMENT 3 - EMOTIONAL (DEPRESSED, ANGRY, DISTURBED) 4 - ILLNESS 5 - FELL ASLEEP, FAINTED, FACIATED UNDER THE INFLUENCE OF MEDICATIONS, DRUGS, ALCOHOL 7 - OTHER	<b>ALCOHOL/DRUG SUSPECTED</b> 1 - NONE 2 - YES - ALCOHOL SUSPECTED 3 - YES - HBD NOT IMPAIRED 4 - YES - DRUGS SUSPECTED 5 - YES - ALCOHOL AND DRUGS SUSPECTED
--	---	---	--	--

<b>ALCOHOL TEST STATUS</b> 1 - NONE GIVEN 2 - TEST REFUSED 3 - TEST GIVEN, CONTAMINATED SAMPLE/UNUSABLE 4 - TEST GIVEN, RESULTS KNOWN 5 - TEST GIVEN, RESULTS UNKNOWN	<b>ALCOHOL TEST TYPE</b> 1 - NONE 2 - BLOOD 3 - URINE 4 - BREATH 5 - OTHER	<b>DRUG TEST STATUS</b> 1 - NONE GIVEN 2 - TEST REFUSED 3 - TEST GIVEN, CONTAMINATED SAMPLE/UNUSABLE 4 - TEST GIVEN, RESULTS KNOWN 5 - TEST GIVEN, RESULTS UNKNOWN	<b>DRUG TEST TYPE</b> 1 - NONE 2 - BLOOD 3 - URINE 4 - OTHER	<b>DRIVER DISTRACTED BY</b> 1 - NO DISTRACTION REPORTED 2 - PHONE 3 - TEXTING/E-MAILING 4 - ELECTRONIC COMMUNICATION DEVICE 5 - OTHER ELECTRONIC DEVICE (HANDHELD DEVICE, RADIO, DVD) 6 - OTHER INSIDE THE VEHICLE 7 - EXTERNAL DISTRACTION
--	---	---	--	--

UNIT NUMBER 011	NAME: LAST, FIRST, MIDDLE SMITH JAMES TIMOTHY	DATE OF BIRTH 11/27/2004	AGE 12	GENDER M - MALE F - FEMALE
--------------------	--	-----------------------------	-----------	----------------------------------

ADDRESS, CITY, STATE, ZIP 2 ARLINGTON DR FRANKLIN OH 45005	CONTACT PHONE - INCLUDE AREA CODE 513-227-5443
---	---

INJURIES 1	INJURED TAKEN BY	EMS AGENCY	MEDICAL FACILITY INJURED TAKEN TO	SAFETY EQUIPMENT USED 04	DOT COMPLIANT <input type="checkbox"/> MOTORCYCLE HELMET	SEATING POSITION 03	AIR BAG USAGE 1	EJECTION 1	TRAPPED 1
---------------	------------------	------------	-----------------------------------	-----------------------------	---	------------------------	--------------------	---------------	--------------

UNIT NUMBER	NAME: LAST, FIRST, MIDDLE	DATE OF BIRTH	AGE	GENDER F - FEMALE M - MALE
-------------	---------------------------	---------------	-----	----------------------------------

ADDRESS, CITY, STATE, ZIP	CONTACT PHONE - INCLUDE AREA CODE
---------------------------	-----------------------------------

INJURIES	INJURED TAKEN BY	EMS AGENCY	MEDICAL FACILITY INJURED TAKEN TO	SAFETY EQUIPMENT USED	DOT COMPLIANT <input type="checkbox"/> MOTORCYCLE HELMET	SEATING POSITION	AIR BAG USAGE	EJECTION	TRAPPED
----------	------------------	------------	-----------------------------------	-----------------------	---	------------------	---------------	----------	---------



# UNIT

LOCAL REPORT NUMBER

2013-113258

UNIT NUMBER 01	OWNER NAME: LAST, FIRST, MIDDLE (☐ SAME AS DRIVER)	OWNER PHONE NUMBER - INC. AREA CODE (☐ SAME AS DRIVER)	DAMAGE SCALE 2	DAMAGED AREA 
OWNER ADDRESS: CITY, STATE, ZIP (☐ SAME AS DRIVER)	LP STATE OH	LICENSE PLATE NUMBER BX 8737	VEHICLE IDENTIFICATION NUMBER ZHGFG11Z899H5D0246	# OCCUPANTS 03
VEHICLE YEAR 2009	VEHICLE MAKE HONDA	VEHICLE MODEL CIVIC	VEHICLE COLOR BLACK	
PROOF OF INSURANCE SHOWN <input checked="" type="checkbox"/>	INSURANCE COMPANY PROGRESSIVE	POLICY NUMBER 40970740	TOWED BY	
CARRIER NAME, ADDRESS, CITY, STATE, ZIP			CARRIER PHONE - INCLUDE AREA CODE	

US DOT	VEHICLE WEIGHT GVWR/GCWR 1 - LESS THAN OR EQUAL TO 10K LBS. 2 - 10,001 TO 26,000 LBS. 3 - MORE THAN 26,000 LBS.	CARGO BODY TYPE 01 - NO CARGO BODY TYPE/NOT APPLICABLE 02 - BUS/VAN (9-15 SEATS, INC DRIVER) 03 - BUS (16+ SEATS, INC DRIVER) 04 - VEHICLE TOWING ANOTHER VEHICLE 05 - LOGGING 06 - INTERMODAL CONTAINER CHASSIS 07 - CARGO VAN/ENCLOSED BOX 08 - GRAB, CHIPS, GRAVEL	09 - POLE 10 - CARGO TANK 11 - FLAT BED 12 - DUMP 13 - CONCRETE MIXER 14 - AUTO TRANSPORTER 15 - GARBAGE/REFUSE 99 - OTHER/UNKNOWN	TRAFFICWAY DESCRIPTION 1 - TWO-WAY, NOT DIVIDED 2 - TWO-WAY, NOT DIVIDED, CONTINUOUS LEFT TURN LANE 3 - TWO-WAY, DIVIDED, UNPROTECTED PAVEMENT OR GRASS (≥4 FT.) MEDIAN 4 - TWO-WAY, DIVIDED, POSITIVE MEDIAN BARRIER 5 - ONE-WAY TRAFFICWAY
HM PLACARD ID NO.	HAZARDOUS MATERIAL RELEASED <input type="checkbox"/>			<input type="checkbox"/> HIT / SKIP UNIT

NON-MOTORIST LOCATION PRIOR TO IMPACT 01 - INTERSECTION - MARKED CROSSWALK 02 - INTERSECTION - NO CROSSWALK 03 - INTERSECTION - OTHER 04 - MIDBLOCK - MARKED CROSSWALK 05 - TRAVEL LANE - OTHER LOCATION 06 - BICYCLE LANE 07 - SHOULDER/ROADSIDE 08 - SIDEWALK 09 - MEDIAN/CROSSING ISLAND 10 - DRIVEWAY ACCESS 11 - SHARED-USE PATH OR TRAIL 12 - NON-TRAFFICWAY AREA 99 - OTHER/UNKNOWN	TYPE OF USE 1 - PERSONAL 2 - COMMERCIAL 3 - GOVERNMENT <input type="checkbox"/> IN EMERGENCY RESPONSE	UNIT TYPE 01 - SUB-COMPACT 02 - COMPACT 03 - MID SIZE 04 - FULL SIZE 05 - MINIVAN 06 - SPORT UTILITY VEHICLE 07 - PICKUP 08 - VAN 09 - MOTORCYCLE 10 - MOTORIZED BICYCLE 11 - SNOWMOBILE/ATV 12 - OTHER PASSENGER VEHICLE	PASSENGER VEHICLES (LESS THAN 9 PASSENGERS) 01 - SUB-COMPACT 02 - COMPACT 03 - MID SIZE 04 - FULL SIZE 05 - MINIVAN 06 - SPORT UTILITY VEHICLE 07 - PICKUP 08 - VAN 09 - MOTORCYCLE 10 - MOTORIZED BICYCLE 11 - SNOWMOBILE/ATV 12 - OTHER PASSENGER VEHICLE	MED/HEAVY TRUCKS OR COMBO UNITS > 10K LBS 13 - SINGLE UNIT TRUCK OR VAN 2AXLE, 6 TIRES 14 - SINGLE UNIT TRUCK; 3+ AXLES 15 - SINGLE UNIT TRUCK / TRAILER 16 - TRUCK/TRACTOR (BUSTAIL) 17 - TRACTOR/SEMI-TRAILER 18 - TRACTOR/DOUBLE 19 - TRACTOR/TWELVES 20 - OTHER MED/HEAVY VEHICLE	BUS/VAN/LIMO (9 OR MORE INCLUDING DRIVER) 21 - BUS/VAN (9-15 SEATS, INC DRIVER) 22 - BUS (16+ SEATS, INC DRIVER) NON-MOTORIST 23 - ANIMAL WITH RIDER 24 - ANIMAL WITH BUGGY, WAGON, SURREY 25 - BICYCLE/PEDALCYCLIST 26 - PEDESTRIAN/SKATER 27 - OTHER NON-MOTORIST
<input type="checkbox"/> HAS HM PLACARD					

SPECIAL FUNCTION 01 - NONE 02 - TAXI 03 - RENTAL TRUCK (OVER 10K LBS) 04 - BUS - SCHOOL (PUBLIC OR PRIVATE) 05 - BUS - TRANSIT 06 - BUS - CHARTER 07 - BUS - SHUTTLE 08 - BUS - OTHER	09 - AMBULANCE 10 - FIRE 11 - HIGHWAY/MAINTENANCE 12 - MILITARY 13 - POLICE 14 - PUBLIC UTILITY 15 - OTHER GOVERNMENT 16 - CONSTRUCTION EQUIP.	17 - FARM VEHICLE 18 - FARM EQUIPMENT 19 - MOTORHOME 20 - GOLF CART 21 - TRAIN 22 - OTHER (EXPLAIN IN NARRATIVE)	MOST DAMAGED AREA 01 - NONE 02 - CENTER FRONT 03 - RIGHT FRONT 04 - RIGHT SIDE 05 - RIGHT REAR 06 - REAR CENTER 07 - LEFT REAR	08 - LEFT SIDE 09 - LEFT FRONT 10 - TOP AND WINDOWS 11 - UNDERCARRIAGE 12 - LOAD/TRAILER 13 - TOTAL(ALL AREAS) 14 - OTHER	99 - UNKNOWN	ACTION 1 - NON-CONTACT 2 - NON-COLLISION 3 - STRUCK 4 - STRUCK 5 - STRIKING/STRUCK 9 - UNKNOWN
---	---	---	---	---	--------------	--

PRE-CRASH ACTIONS 01 - UNKNOWN	MOTORIST 01 - STRAIGHT AHEAD 02 - BACKING 03 - CHANGING LANES 04 - OVERTAKING/PASSING 05 - MAKING RIGHT TURN 06 - MAKING LEFT TURN	07 - MAKING U-TURN 08 - ENTERING TRAFFIC LANE 09 - LEAVING TRAFFIC LANE 10 - PARKED 11 - SLOWING OR STOPPED IN TRAFFIC 12 - DRIVERLESS	13 - NEGOTIATING A CURVE 14 - OTHER MOTORIST ACTION	NON-MOTORIST 15 - ENTERING OR CROSSING SPECIFIED LOCATION 16 - WALKING, RUNNING, JOGGING, PLAYING, CYCLING 17 - WORKING 18 - PUSHING VEHICLE 19 - APPROACHING OR LEAVING VEHICLE 20 - STANDING 21 - OTHER NON-MOTORIST ACTION
-----------------------------------	--	---	--	--

CONTRIBUTING CIRCUMSTANCES PRIMARY 01 - NONE 02 - FAILURE TO YIELD 03 - RAN RED LIGHT 04 - RAN STOP SIGN SECONDARY 05 - EXCEEDED SPEED LIMIT 06 - UNSAFE SPEED 07 - IMPROPER TURN 08 - LEFT OF CENTER 09 - FOLLOWED TOO CLOSELY/ACDA 10 - IMPROPER LANE CHANGE /PASSING/OFF ROAD 99 - UNKNOWN	MOTORIST 11 - IMPROPER BACKING 12 - IMPROPER START FROM PARKED POSITION 13 - STOPPED OR PARKED ILLEGALLY 14 - OPERATING VEHICLE IN NEGLIGENT MANNER 15 - SWERVING TO AVOID (DUE TO EXTERNAL CONDITIONS) 16 - WRONG SIDE/WRONG WAY 17 - FAILURE TO CONTROL 18 - VISION OBSTRUCTION 19 - OPERATING DEFECTIVE EQUIPMENT 20 - LOAD SHIFTING/FALLING/SPILLING 21 - OTHER IMPROPER ACTION	NON-MOTORIST 22 - NONE 23 - IMPROPER CROSSING 24 - DARTING 25 - LYING AND/OR ILLEGALLY IN ROADWAY 26 - FAILURE TO YIELD RIGHT OF WAY 27 - NOT VISIBLE (DARK CLOTHING) 28 - INATTENTIVE 29 - FAILURE TO OBEY TRAFFIC SIGNS /SIGNALS/SIGNALER 30 - WRONG SIDE OF THE ROAD 31 - OTHER NON-MOTORIST ACTION	VEHICLE DEFECTS 01 - TURN SIGNALS 02 - HEAD LAMPS 03 - TAIL LAMPS 04 - BRAKES 05 - STEERING 06 - TIRE BLOWOUT 07 - WORN OR SLICK TIRES 08 - TRAILER EQUIPMENT DEFECTIVE 09 - MOTOR TROUBLE 10 - DISABLED FROM PRIOR ACCIDENT 11 - OTHER DEFECTS
--	--	--	--

SEQUENCE OF EVENTS 1 [20] 2 [ ] 3 [ ] 4 [ ] 5 [ ] 6 [ ] FIRST HARMFUL EVENT [1] MOST HARMFUL EVENT [1] 99 - UNKNOWN	NON-COLLISION EVENTS 01 - OVERTURN/ROLLOVER 02 - FIRE/EXPLOSION 03 - IMMERSION 04 - JACKKNIFE 05 - CARGO/EQUIPMENT LOSS OR SHIFT	06 - EQUIPMENT FAILURE (BLOWN TIRE, BRAKE FAILURE, ETC) 07 - SEPARATION OF UNITS 08 - RAN OFF ROAD RIGHT 09 - RAN OFF ROAD LEFT	10 - CROSS MEDIAN 11 - CROSS CENTER LINE OPPOSITE DIRECTION OF TRAVEL 12 - DOWNHILL RUNAWAY 13 - OTHER NON-COLLISION
--	---	--	--

COLLISION WITH PERSON, VEHICLE OR OBJECT NOT FIXED 14 - PEDESTRIAN 15 - PEDALCYCLE 16 - RAILWAY VEHICLE (TRAIN, ENGINE) 17 - ANIMAL - FARM 18 - ANIMAL - DEER 19 - ANIMAL - OTHER 20 - MOTOR VEHICLE IN TRANSPORT	21 - PARKED MOTOR VEHICLE 22 - WORK ZONE MAINTENANCE EQUIPMENT 23 - STRUCK BY FALLING, SHIFTING CARGO OR ANYTHING SET IN MOTION BY A MOTOR VEHICLE 24 - OTHER MOVABLE OBJECT	COLLISION WITH FIXED OBJECT 25 - IMPACT ATTENUATOR/CRASH CUSHION 26 - BRIDGE OVERHEAD STRUCTURE 27 - BRIDGE PIER OR ABUTMENT 28 - BRIDGE PARAPET 29 - BRIDGE RAIL 30 - GUARDRAIL FACE 31 - GUARDRAIL END 32 - PORTABLE BARRIER	33 - MEDIAN CABLE BARRIER 34 - MEDIAN GUARDRAIL BARRIER 35 - MEDIAN CONCRETE BARRIER 36 - MEDIAN OTHER BARRIER 37 - TRAFFIC SIGN POST 38 - OVERHEAD SIGN POST 39 - LIGHT/LUMINARIES SUPPORT 40 - UTILITY POLE	41 - OTHER POST, POLE OR SUPPORT 42 - CULVERT 43 - CURB 44 - DITCH 45 - EMBANKMENT 46 - FENCE 47 - MAILBOX	48 - TREE 49 - FIRE HYDRANT 50 - WORK ZONE MAINTENANCE EQUIPMENT 51 - WALL, BUILDING, TUNNEL 52 - OTHER FIXED OBJECT
--	---	--	--	--	--

UNIT SPEED 15	POSTED SPEED 40	TRAFFIC CONTROL 12 01 - NO CONTROLS 02 - STOP SIGN 03 - YIELD SIGN 04 - TRAFFIC SIGNAL 05 - TRAFFIC FLASHERS 06 - SCHOOL ZONE 07 - RAILROAD CROSSBUCKS 08 - RAILROAD FLASHERS 09 - RAILROAD GATES 10 - CONSTRUCTION BARRICADE 11 - PERSON (FLAGGER, OFFICER) 12 - PAVEMENT MARKINGS 13 - CROSSWALK LINES 14 - WALK/DON'T WALK 15 - OTHER 16 - NOT REPORTED	UNIT DIRECTION FROM [1] TO [2] 1 - NORTH 2 - SOUTH 3 - EAST 4 - WEST 5 - NORTHEAST 6 - NORTHWEST 7 - SOUTHWEST 8 - SOUTHWEST 9 - UNKNOWN
------------------	--------------------	---	--



# UNIT

LOCAL REPORT NUMBER  
21013-113258

UNIT NUMBER 1012	OWNER NAME: LAST, FIRST, MIDDLE (☑ SAME AS DRIVER)	OWNER PHONE NUMBER - INC. AREA CODE (☑ SAME AS DRIVER)	DAMAGE SCALE 2	DAMAGED AREA 
OWNER ADDRESS: CITY, STATE, ZIP (☑ SAME AS DRIVER)			1 - NONE	
LP STATE OH	LICENSE PLATE NUMBER DV B6800	VEHICLE IDENTIFICATION NUMBER 1J1M11BK11214571160114315	2 - MINOR	
VEHICLE YEAR 2010	VEHICLE MAKE MAZDA	VEHICLE MODEL 3	3 - FUNCTIONAL	
VEHICLE COLOR GREY	INSURANCE COMPANY NATIONWIDE	POLICY NUMBER	4 - DISABLING	
PROOF OF INSURANCE SHOWN	TOWED BY	CARRIER NAME, ADDRESS, CITY, STATE, ZIP	9 - UNKNOWN	

US DOT	VEHICLE WEIGHT GVWR/GCWR 1 - LESS THAN OR EQUAL TO 10K LBS. 2 - 10,001 TO 26,000 LBS. 3 - MORE THAN 26,000 LBS.	CARGO BODY TYPE 01 - NO CARGO BODY TYPE/NOT APPLICABLE 02 - BUS/VAN (9-15 SEATS, INC DRIVER) 03 - BUS (16+ SEATS, INC DRIVER) 04 - VEHICLE TOWING ANOTHER VEHICLE 05 - LOGGING 06 - INTERMODAL CONTAINER CHASSIS 07 - CARGO VAN/ENCLOSED BOX 08 - GRAIN, CHIPS, GRAVEL	TRAFFICWAY DESCRIPTION 1 - TWO-WAY, NOT DIVIDED 2 - TWO-WAY, NOT DIVIDED, CONTINUOUS LEFT TURN LANE 3 - TWO-WAY, DIVIDED, UNPROTECTED (PAVED OR GRASS 54 FT.) MEDIAN 4 - TWO-WAY, DIVIDED, POSITIVE MEDIAN BARRIER 5 - ONE-WAY TRAFFICWAY
HM PLACARD ID No.	<input type="checkbox"/> HAZARDOUS MATERIAL RELEASED	09 - POLE 10 - CARGO TANK 11 - FLAT BED 12 - DUMP 13 - CONCRETE MIXER 14 - AUTO TRANSPORTER 15 - GARBAGE/REFUSE 19 - OTHER/UNKNOWN	<input type="checkbox"/> HIT / SKIP UNIT

NON-MOTORIST LOCATION PRIOR TO IMPACT 01 - INTERSECTION - MARKED CROSSWALK 02 - INTERSECTION - NO CROSSWALK 03 - INTERSECTION - OTHER 04 - MIDBLOCK - MARKED CROSSWALK 05 - TRAVEL LANE - OTHER LOCATION 06 - BICYCLE LANE 07 - SHOULDER/ROADSIDE 08 - SIDEWALK 09 - MEDIAN/CROSSING ISLAND 10 - DRIVEWAY ACCESS 11 - SHARED-USE PATH OF TRAIL 12 - NON-TRAFFICWAY AREA 99 - OTHER/UNKNOWN	TYPE OF USE 1 - PERSONAL 2 - COMMERCIAL 3 - GOVERNMENT <input type="checkbox"/> IN EMERGENCY RESPONSE	UNIT TYPE 01 - SUB-COMPACT 02 - COMPACT 03 - MID SIZE 04 - FULL SIZE 05 - MINIVAN 06 - SPORT UTILITY VEHICLE 07 - PICKUP 08 - VAN 09 - MOTORCYCLE 10 - MOTORIZED BICYCLE 11 - SNOWMOBILE/ATV 12 - OTHER PASSENGER VEHICLE	PASSENGER VEHICLES (LESS THAN 9 PASSENGERS) 01 - SUB-COMPACT 02 - COMPACT 03 - MID SIZE 04 - FULL SIZE 05 - MINIVAN 06 - SPORT UTILITY VEHICLE 07 - PICKUP 08 - VAN 09 - MOTORCYCLE 10 - MOTORIZED BICYCLE 11 - SNOWMOBILE/ATV 12 - OTHER PASSENGER VEHICLE	MED/HEAVY TRUCKS OR COMBO UNITS > 10K LBS. 13 - SINGLE UNIT TRUCK OR VAN 2AXLE, 6 TIRES 14 - SINGLE UNIT TRUCK, 3+ AXLES 15 - SINGLE UNIT TRUCK / TRAILER 16 - TRUCK/TRACTOR (BOBTAIL) 17 - TRACTOR/SEMI-TRAILER 18 - TRACTOR/DOUBLE 19 - TRACTOR/TRAPLES 20 - OTHER MED/HEAVY VEHICLE	BUS/VAN/LIMO (9 OR MORE INCLUDING DRIVER) 21 - BUS/VAN (9-15 SEATS, INC DRIVER) 22 - BUS (16+ SEATS, INC DRIVER) <b>Non-Motorist</b> 23 - ANIMAL WITH RIDER 24 - ANIMAL WITH BUGGY, WAGON, SURREY 25 - BICYCLE/PEDALCYCLIST 26 - PEDESTRIAN/SKATER 27 - OTHER NON-MOTORIST
---	---	---	---	--	--

SPECIAL FUNCTION 01 - NONE 02 - TAXI 03 - RENTAL TRUCK (OVER 10K LBS) 04 - BUS - SCHOOL (PUBLIC OR PRIVATE) 05 - BUS - TRANSIT 06 - BUS - CHARTER 07 - BUS - SHUTTLE 08 - BUS - OTHER	09 - AMBULANCE 10 - FIRE 11 - HIGHWAY/MAINTENANCE 12 - MILITARY 13 - POLICE 14 - PUBLIC UTILITY 15 - OTHER GOVERNMENT 16 - CONSTRUCTION EQUIP.	17 - FARM VEHICLE 18 - FARM EQUIPMENT 19 - MOTORHOME 20 - GOLF CART 21 - TRAIN 22 - OTHER (EXPLAIN IN REMARKS)	MOST DAMAGED AREA 01 - NONE 02 - CENTER FRONT 03 - RIGHT FRONT 04 - RIGHT SIDE 05 - RIGHT REAR 06 - REAR CENTER 07 - LEFT REAR	08 - LEFT SIDE 09 - LEFT FRONT 10 - TOP AND WINDOWS 11 - UNDERCARRIAGE 12 - LOAN/TRAILER 13 - TOTAL(ALL AREAS) 14 - OTHER	ACTION 4 1 - NON-CONTACT 2 - NON-COLLISION 3 - STRIKING 4 - STRUCK 5 - STRIKING/STRUCK 9 - UNKNOWN
---	---	---	---	---	---

PRE-CRASH ACTIONS 01 - STRAIGHT AHEAD 02 - BRAKING 03 - CHANGING LANES 04 - OVERTAKING/PASSING 05 - MAKING RIGHT TURN 06 - MAKING LEFT TURN 99 - UNKNOWN	MOTORIST 01 - STRAIGHT AHEAD 02 - BRAKING 03 - CHANGING LANES 04 - OVERTAKING/PASSING 05 - MAKING RIGHT TURN 06 - MAKING LEFT TURN	07 - MAKING U-TURN 08 - ENTERING TRAFFIC LANE 09 - LEAVING TRAFFIC LANE 10 - PARKED 11 - SLOWING OR STOPPED IN TRAFFIC 12 - DRIVERLESS	13 - NEGOTIATING A CURVE 14 - OTHER MOTORIST ACTION	NON-MOTORIST 15 - ENTERING OR CROSSING SPECIFIED LOCATION 16 - WALKING, RUNNING, JOGGING, PLAYING, CYCLING 17 - WORKING 18 - PUSHING VEHICLE 19 - APPROACHING OR LEAVING VEHICLE 20 - STANDING 21 - OTHER NON-MOTORIST ACTION
---	--	---	--	--

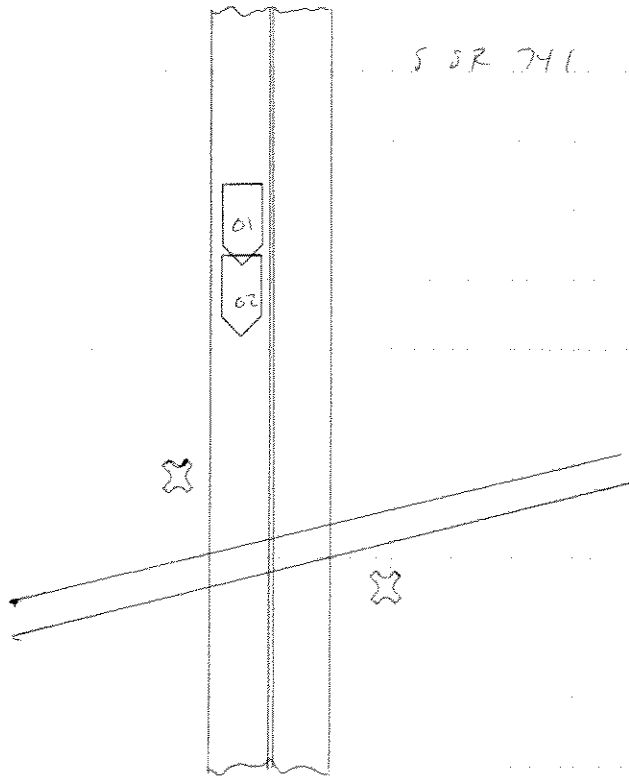
CONTRIBUTING CIRCUMSTANCES PRIMARY 01 - NONE 02 - FAILURE TO YIELD 03 - RAN RED LIGHT 04 - RAN STOP SIGN SECONDARY 05 - EXCEEDED SPEED LIMIT 06 - UNSAFE SPEED 07 - IMPROPER TURN 08 - LEFT OF CENTER 09 - FOLLOWED TOO CLOSELY/ACDA 10 - IMPROPER LANE CHANGE /PASSING/OFF ROAD 99 - UNKNOWN	MOTORIST 11 - IMPROPER BACKING 12 - IMPROPER START FROM PARKED POSITION 13 - STOPPED OR PARKED ILLEGALLY 14 - OPERATING VEHICLE IN NEGLIGENT MANNER 15 - SWERVING TO AVOID (DUE TO EXTERNAL CONDITIONS) 16 - WRONG SIDE/WRONG WAY 17 - FAILURE TO CONTROL 18 - VISION OBSTRUCTION 19 - OPERATING DEFECTIVE EQUIPMENT 20 - LOAD SHIFTING/FALLING/SPLITTING 21 - OTHER IMPROPER ACTION	NON-MOTORIST 22 - NONE 23 - IMPROPER CROSSING 24 - DARTING 25 - LYING AND/OR ILLEGALLY IN ROADWAY 26 - FAILURE TO YIELD RIGHT OF WAY 27 - NOT VISIBLE (DARK CLOTHING) 28 - INATTENTIVE 29 - FAILURE TO OBEY TRAFFIC SIGNS /SIGNALS/OFFICER 30 - WRONG SIDE OF THE ROAD 31 - OTHER NON-MOTORIST ACTION	VEHICLE DEFECTS 01 - TURN SIGNALS 02 - HEAD LAMPS 03 - TAIL LAMPS 04 - BRAKES 05 - STEERING 06 - TIRE BLOWOUT 07 - WORN OR SLICK TIRES 08 - TRAILER EQUIPMENT DEFECTIVE 09 - MOTOR TROUBLE 10 - DISABLED FROM PRIOR ACCIDENT 11 - OTHER DEFECTS
--	---	---	--

SEQUENCE OF EVENTS 1 20 2 3 4 5 6 FIRST HARMFUL EVENT 11 MOST HARMFUL EVENT 11 99 - UNKNOWN	NON-COLLISION EVENTS 01 - OVERTURN/ROLLOVER 02 - FIRE/EXPLOSION 03 - IMMERSION 04 - JACKKNIFE 05 - CARGO/EQUIPMENT LOSS OR SHIFT 06 - EQUIPMENT FAILURE (BLOW TIRE, BRAKE FAILURE, ETC) 07 - SEPARATION OF UNITS 08 - RAN OFF ROAD RIGHT 09 - RAN OFF ROAD LEFT 10 - CROSS MEDIAN 11 - CROSS CENTER LINE OPPOSITE DIRECTION OF TRAVEL 12 - DOWNHILL RUNAWAY 13 - OTHER NON-COLLISION	COLLISION WITH PERSON, VEHICLE OR OBJECT NOT FIXED 14 - PEDESTRIAN 15 - PEDALCYCLE 16 - RAILWAY VEHICLE (TRAIN, ENGINE) 17 - ANIMAL - FARM 18 - ANIMAL - DEER 19 - ANIMAL - OTHER 20 - MOTOR VEHICLE IN TRANSPORT 21 - PARKED MOTOR VEHICLE 22 - WORK ZONE MAINTENANCE EQUIPMENT 23 - STRUCK BY FALLING, SHIFTING CARGO OR ANYTHING SET IN MOTION BY A MOTOR VEHICLE 24 - OTHER MOVABLE OBJECT 25 - IMPACT ATTENUATOR/CRASH CUSHION 26 - BRIDGE OVERHEAD STRUCTURE 27 - BRIDGE PIER OR ABUTMENT 28 - BRIDGE PARAPET 29 - BRIDGE RAIL 30 - GUARDRAIL FACE 31 - GUARDRAIL END 32 - PORTABLE BARRIER 33 - MEDIAN CABLE BARRIER 34 - MEDIAN GUARDRAIL BARRIER 35 - MEDIAN CONCRETE BARRIER 36 - MEDIAN OTHER BARRIER 37 - TRAFFIC SIGN POST 38 - OVERHEAD SIGN POST 39 - LIGHT/LUMINARIES SUPPORT 40 - UTILITY POLE 41 - OTHER POST, POLE OR SUPPORT 42 - CULVERT 43 - CURB 44 - DITCH 45 - EMBANKMENT 46 - FENCE 47 - MAILBOX 48 - TREE 49 - FIRE HYDRANT 50 - WORK ZONE MAINTENANCE EQUIPMENT 51 - WALL, BUILDING, TUNNEL 52 - OTHER FIXED OBJECT
--	---	--

UNIT SPEED 0 POSTED SPEED 40	TRAFFIC CONTROL 01 - NO CONTROLS 02 - STOP SIGN 03 - YIELD SIGN 04 - TRAFFIC SIGNAL 05 - TRAFFIC FLASHERS 06 - SCHOOL ZONE 07 - RAILROAD CROSSINGS 08 - RAILROAD FLASHERS 09 - RAILROAD GATES 10 - CONSTRUCTION BARRICADE 11 - PERSON (FLAGGER, OFFICER) 12 - PAVEMENT MARKINGS 13 - CROSSWALK LINES 14 - WALK/DON'T WALK 15 - OTHER 16 - NOT REPORTED	UNIT DIRECTION FROM 11 TO 2 1 - NORTH 2 - SOUTH 3 - EAST 4 - WEST 5 - NORTHEAST 6 - NORTHWEST 7 - SOUTHEAST 8 - SOUTHWEST 9 - UNKNOWN
---------------------------------------	--	---



LOCAL REPORT NUMBER 13-13258	REPORTING AGENCY MASON POLICE	DATE OF CRASH M 05   D 10   Y 13
IN COUNTY OF WARREN	CRASH LOCATION SR 741 NORTH OF BETHANY PD	



NOT TO SCALE

OFFICER'S SIGNATURE X [Signature]	BADGE NUMBER 1637
--------------------------------------	----------------------

LOCAL REPORT NUMBER 17-13258	REPORTING AGENCY MASON POLICE	DATE OF CRASH M 05   D 10   Y 17
---------------------------------	----------------------------------	-------------------------------------

**FOR LOCAL USE ONLY – DO NOT SUBMIT TO THE STATE EXCEPT FOR FATAL CRASHES**

I, HEATHER BIERMAN HEREBY MAKE THIS VOLUNTARY STATEMENT TO  
PRINTED

Fitzgerald AT 741 (N) @ BETHANY RD  
OFFICER'S NAME LOCATION

I WAS TRAVELING TOWARDS LIGHT @ BETHANY @ 741 WHEN I SAW A CAR FULLY STOPPED. I DIDN'T SEE HER UNTIL I WAS CLOSE. I LOCKED UP MY BREAKS & COLLIDED W/ HER GOING LESS THAN 5 MPH.

Q: what was your speed prior to braking?  
 A: 10 - 15 MPH ~~10-15~~

Q: were you wearing your seat belt?  
 A: YES

JAMES TIMOTHY SMITH - 12-27-2000  
2 ARLINGTON DR. FRANKLIN OH 45005

ADDRESS OF WITNESS <u>Fitzgerald</u>	PHONE 513-222-5443
SIGNATURE OF WITNESS X	OFFICER'S SIGNATURE X <u>[Signature]</u>

OHIO TRAFFIC CRASH WITNESS STATEMENT

OH-3 REV 1/82

LOCAL REPORT NUMBER 13-13258	REPORTING AGENCY Mason Police	DATE OF CRASH M 05/10/13
---------------------------------	----------------------------------	-----------------------------

FOR LOCAL USE ONLY - DO NOT SUBMIT TO THE STATE EXCEPT FOR FATAL CRASHES

I, Mary Yeary (PRINTED) HEREBY MAKE THIS VOLUNTARY STATEMENT TO  
Fitzgerald (OFFICERS NAME) AT 741 + Bethany (LOCATION)

I came to a stop at the red light, and when I stopped I was rear-ended. I was wearing my seat belt. Before I stopped at the light I was slowing down due to the rain (25? mph to 0) I was traveling towards Mason from Springboro.

ADDRESS OF WITNESS 715 Center St Milford OH 45150	PHONE (513) 265-2602
SIGNATURE OF WITNESS Mary Yeary	OFFICERS SIGNATURE [Signature]