



Traffic Crash Report

Local Report Number *	Crash Severity	Hit/Skip
2014-19857	3 1 - Fatal 2 - Injury 3 - PDO	<input type="checkbox"/> 1 - Solved <input type="checkbox"/> 2 - Unsolved

Photos Taken <input checked="" type="checkbox"/> OH-2 <input type="checkbox"/> OH-1P <input checked="" type="checkbox"/> OH-3 <input type="checkbox"/> Other	PDO Under State Reportable Dollar Amount	Private Property	Reporting Agency NCIC * 08304	Reporting Agency Name * MASON POLICE	Number of Units 02	Unit in error 01 98 - Animal 99 - Unknown
--------------------------------------------------------------------------------------------------------------------------------------------------------------------	------------------------------------------	------------------	----------------------------------	-----------------------------------------	-----------------------	----------------------------------------------------

County * 83	City * <input checked="" type="checkbox"/> City * <input type="checkbox"/> Village * <input type="checkbox"/> Township *	City, Village, Township * MASON	Crash Date * 06202014	Time of Crash 1104	Day of Week FRI
----------------	-----------------------------------------------------------------------------------------------------------------------------------	------------------------------------	--------------------------	-----------------------	--------------------

Degrees / Minutes / Seconds Latitude 0 / /	Longitude 0 / /	Decimal Degrees Latitude 39.367898	Longitude -84.295942
--------------------------------------------------	--------------------	------------------------------------------	-------------------------

Roadway Division <input type="checkbox"/> Divided <input checked="" type="checkbox"/> Undivided	Divided Lane Direction of Travel <input type="checkbox"/> N - Northbound E - Eastbound <input type="checkbox"/> S - Southbound W - Westbound	Number of Thru Lanes 02	Road Types or Milepost * AL - Alley CR - Circle HE - Heights MP - Milepost PL - Place ST - Street WA - Way AV - Avenue CT - Court HW - Highway PK - Parkway RD - Road TE - Terrace BL - Boulevard DR - Drive LA - Lane PI - Pike SQ - Square TL - Trail
-------------------------------------------------------------------------------------------------------	----------------------------------------------------------------------------------------------------------------------------------------------------	----------------------------	------------------------------------------------------------------------------------------------------------------------------------------------------------------------------------------------------------------------------------------------------------------

Location Route Type 1 45	Location Route Number 42	Loc Prefix N, S, E, W	Location Road Name	Location Road Type 2	Route Types 1 JR - Interstate Route (Inc. turnpike) CR - Numbered County Route US - US Route TR - Numbered Township Route SR - State Route
-----------------------------	-----------------------------	--------------------------	--------------------	----------------------	-----------------------------------------------------------------------------------------------------------------------------------------------------

Distance From Reference <input type="checkbox"/> Miles <input type="checkbox"/> Feet <input type="checkbox"/> Yards	Dir From Ref <input type="checkbox"/> N, S, E, W	Reference Route Type 1	Reference Route Number 4503	Ref Prefix N, S, E, W	Reference Name (Road, Milepost, House #)	Reference Road Type 2
------------------------------------------------------------------------------------------------------------------------------	-----------------------------------------------------	------------------------	--------------------------------	--------------------------	------------------------------------------	-----------------------

Reference Point Used 3 1 - Intersection 2 - Mile Post 3 - House Number	Crash Location 01 01 - Not an intersection 02 - Four-way intersection 03 - T-Intersection 04 - Y-Intersection 05 - Traffic Circle/Roundabout	06 - Five-point, or more 07 - On Ramp 08 - Off Ramp 09 - Crossover 10 - Driveway/Alley Access	11 - Railway Grade Crossing 12 - Shared-Use Paths or Trails 99 - Unknown	<input type="checkbox"/> Intersection Related	Location of First Harmful Event 1 - On Roadway 5 - On Gore 2 - On Shoulder 6 - Outside Trafficway 3 - In Median 9 - Unknown 4 - On Roadside
------------------------------------------------------------------------------------	----------------------------------------------------------------------------------------------------------------------------------------------------------------	-----------------------------------------------------------------------------------------------------------	--------------------------------------------------------------------------------	-----------------------------------------------	---------------------------------------------------------------------------------------------------------------------------------------------------------

Road Contour 1 - Straight Level 4 - Curve Grade 2 - Straight Grade 9 - Unknown 3 - Curve Level	Road Conditions Primary 01 Secondary	01 - Dry 05 - Sand, Mud, Dirt, Oil, Gravel 09 - Rut, Holes, Bumps, Uneven Pavement* 02 - Wet 06 - Water (Standing, Moving) 10 - Other 03 - Snow 07 - Slush 99 - Unknown 04 - Ice 08 - Debris*	* Secondary Condition Only
---------------------------------------------------------------------------------------------------------	-----------------------------------------------	--------------------------------------------------------------------------------------------------------------------------------------------------------------------------------------------------------	----------------------------

Manner of Crash Collision/Impact 6 1 - Not Collision Between Two Motor Vehicles In Transport 2 - Rear-End 3 - Head-On 4 - Rear-to-Rear 5 - Backing 6 - Angle 7 - Sideswipe, Same Direction 8 - Sideswipe, Opposite Direction 9 - Unknown	Weather 1 1 - Clear 4 - Rain 7 - Severe Crosswinds 2 - Cloudy 5 - Sleet, Hail 8 - Blowing Sand, Soil, Dirt, Snow 3 - Fog, Smog, Smoke 6 - Snow 9 - Other/Unknown
------------------------------------------------------------------------------------------------------------------------------------------------------------------------------------------------------------------------------------------------------------------------	------------------------------------------------------------------------------------------------------------------------------------------------------------------------------

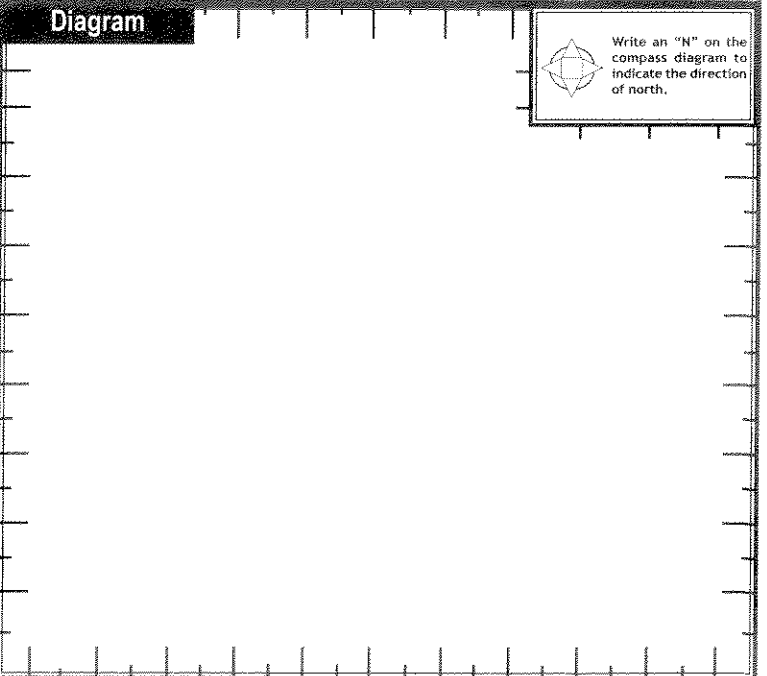
Road Surface 2 1 - Concrete 4 - Slag, Gravel, Stone 2 - Blacktop, Bituminous, Asphalt 5 - Dirt 3 - Brick/Block 6 - Other	Light Conditions 1 Primary Secondary 1 - Daylight 2 - Dawn 3 - Dusk 4 - Dark - Lighted Roadway 8 - Other	5 - Dark - Roadway Not Lighted 9 - Unknown 6 - Dark - Unknown Roadway Lighting 7 - Glare*	<input type="checkbox"/> School Bus Related <input type="checkbox"/> School Zone Related <input type="checkbox"/> Yes, School Bus Directly Involved <input type="checkbox"/> Yes, School Bus Indirectly Involved
--------------------------------------------------------------------------------------------------------------------------------------	----------------------------------------------------------------------------------------------------------------------------	-------------------------------------------------------------------------------------------------	---------------------------------------------------------------------------------------------------------------------------------------------------------------------------------------------------------------------------

<input type="checkbox"/> Work Zone Related	<input type="checkbox"/> Workers Present <input type="checkbox"/> Law Enforcement Present (Officer/Vehicle) <input type="checkbox"/> Law Enforcement Present (Vehicle Only)	Type of Work Zone 1 - Lane Closure 4 - Intermittent or Moving Work 2 - Lane Shift/Crossover 5 - Other 3 - Work on Shoulder or Median	Location of Crash in Work Zone 1 - Before the First Work Zone Warning Sign 4 - Activity Area 2 - Advance Warning Area 5 - Termination Area 3 - Transition Area
--------------------------------------------	-----------------------------------------------------------------------------------------------------------------------------------------------------------------------------------	-----------------------------------------------------------------------------------------------------------------------------------------------	-------------------------------------------------------------------------------------------------------------------------------------------------------------------------

Narrative

UNIT 1 WAS TRAVELING EASTBOUND ON US42.

UNIT 2 WAS TRAVELING WESTBOUND ON US42. UNIT 1 FAILED TO YIELD WHILE TURNING LEFT INTO AXIS CHURCH AND WAS STRUCK BY UNIT 2 IN THE FRONT RIGHT SIDE.



Report Taken By <input checked="" type="checkbox"/> Police Agency <input type="checkbox"/> Motorist	<input type="checkbox"/> Supplement (Correction or Addition to an Existing Report Sent to GDPS)	Date Crash Reported 06202014	Time Crash Reported 1104	Dispatch Time 1106	Arrival Time 1112	Time Cleared 1212	Other Investigation Time 30	Total Minutes 90
Officer's Name * POT DONLEY	Officer's Badge Number 15	Checked By 37/50	Page 1 of 4					



MOTORIST / Non-MOTORIST / OCCUPANT

LOCAL REPORT NUMBER

201141V181524

UNIT NUMBER 01	NAME: LAST, FIRST, MIDDLE RIETH, VIRGINIA	DATE OF BIRTH 09 18 1996	AGE 17	GENDER F F - FEMALE M - MALE
--------------------------	-----------------------------------------------------	------------------------------------	------------------	----------------------------------------------

ADDRESS, CITY, STATE, ZIP 5582 GLENBROOK CT MASON, OH 45040	CONTACT PHONE - INCLUDE AREA CODE 513-833-3628
-----------------------------------------------------------------------	----------------------------------------------------------

INJURIES 1	INJURED TAKEN BY	EMS AGENCY	MEDICAL FACILITY INJURED TAKEN TO	SAFETY EQUIPMENT USED 04	DOT COMPLIANT MOTORCYCLE HELMET	SEATING POSITION 01	AIR BAG USAGE 1	EJECTION 1	TRAPPED 1	
OL STATE OH	OPERATOR LICENSE NUMBER UA 610322	OL CLASS 4	No VALID OL <input type="checkbox"/> M/C END. <input type="checkbox"/>	CONDITION 1	ALCOHOL/DRUG SUSPECTED 1	ALCOHOL TEST STATUS 1	ALCOHOL TEST TYPE 1	ALCOHOL TEST VALUE	DRUG TEST STATUS 1	DRUG TEST TYPE 1

OFFENSE CHARGED (<input type="checkbox"/> LOCAL CODE) 4511.42	OFFENSE DESCRIPTION FAILURE TO YIELD; TURNING LEFT	CITATION NUMBER 76219	HANDS-FREE <input type="checkbox"/> DEVICE USED	DRIVER DISTRACTED BY 1
---------------------------------------------------------------------------	--------------------------------------------------------------	---------------------------------	----------------------------------------------------	----------------------------------

UNIT NUMBER 02	NAME: LAST, FIRST, MIDDLE ROBINSON, TOMY, TOMMY	DATE OF BIRTH 02 06 1991	AGE 23	GENDER M F - FEMALE M - MALE
--------------------------	-----------------------------------------------------------	------------------------------------	------------------	----------------------------------------------

ADDRESS, CITY, STATE, ZIP 237 WEDGEWOOD AVE CINCINNATI, OH 45217	CONTACT PHONE - INCLUDE AREA CODE 513-376-4386
----------------------------------------------------------------------------	----------------------------------------------------------

INJURIES 1	INJURED TAKEN BY	EMS AGENCY	MEDICAL FACILITY INJURED TAKEN TO	SAFETY EQUIPMENT USED 04	DOT COMPLIANT MOTORCYCLE HELMET	SEATING POSITION 01	AIR BAG USAGE 1	EJECTION 1	TRAPPED 1	
OL STATE OH	OPERATOR LICENSE NUMBER TJ 450237	OL CLASS 4	No VALID OL <input type="checkbox"/> M/C END. <input type="checkbox"/>	CONDITION 1	ALCOHOL/DRUG SUSPECTED 1	ALCOHOL TEST STATUS 1	ALCOHOL TEST TYPE 1	ALCOHOL TEST VALUE	DRUG TEST STATUS 1	DRUG TEST TYPE 1

OFFENSE CHARGED (<input type="checkbox"/> LOCAL CODE)	OFFENSE DESCRIPTION	CITATION NUMBER	HANDS-FREE <input type="checkbox"/> DEVICE USED	DRIVER DISTRACTED BY 1
---------------------------------------------------------	---------------------	-----------------	----------------------------------------------------	----------------------------------

INJURIES 1 - NO INJURY / NONE REPORTED 2 - POSSIBLE 3 - NON-INCAPACITATING 4 - INCAPACITATING 5 - FATAL	INJURED TAKEN BY 1 - NOT TRANSPORTED / TREATED AT SCENE 2 - EMS 3 - POLICE 4 - OTHER 9 - UNKNOWN	SAFETY EQUIPMENT USED MOTORIST 01 - NONE USED - VEHICLE OCCUPANT 02 - SHOULDER BELT ONLY USED 03 - LAP BELT ONLY USED 04 - SHOULDER AND LAP BELT USED NON-MOTORIST 05 - CHILD RESTRAINT SYSTEM - FORWARD FACING 06 - CHILD RESTRAINT SYSTEM - REAR FACING 07 - BOOSTER SEAT 08 - HELMET USED	99 - UNKNOWN SAFETY EQUIPMENT	NON-MOTORIST 09 - NONE USED 10 - HELMET USED 11 - PROTECTIVE PADS USED (ELBOWS, KNEES, ETC.) 12 - REFLECTIVE CLOTHING 13 - LIGHTING 14 - OTHER
-------------------------------------------------------------------------------------------------------------------------------	------------------------------------------------------------------------------------------------------------------------	-------------------------------------------------------------------------------------------------------------------------------------------------------------------------------------------------------------------------------------------------------------------------------------------------------------------------------------------------	--------------------------------------	-------------------------------------------------------------------------------------------------------------------------------------------------------------------------

SEATING POSITION 01 - FRONT - LEFT SIDE (MOTORCYCLE DRIVER) 02 - FRONT - MIDDLE 03 - FRONT - RIGHT SIDE 04 - SECOND - LEFT SIDE (MOTORCYCLE PASSENGER) 05 - SECOND - MIDDLE 06 - SECOND - RIGHT SIDE 07 - THIRD - LEFT SIDE (MOTORCYCLE SIDE CAR) 08 - THIRD - MIDDLE 09 - THIRD - RIGHT SIDE 10 - SLEEPER SECTION OF CAB (TRUCK) 11 - PASSENGER IN OTHER ENCLOSED CARGO AREA (NON-TRAILING UNIT SUCH AS A BUS, PICK-UP WITH CAP) 12 - PASSENGER IN UNENCLOSED CARGO AREA 13 - TRAILING UNIT 14 - RIDING ON VEHICLE EXTERIOR (NON-TRAILING UNIT) 15 - NON-MOTORIST 16 - OTHER 99 - UNKNOWN	AIR BAG USAGE 1 - NOT DEPLOYED 2 - DEPLOYED FRONT 3 - DEPLOYED SIDE 4 - DEPLOYED BOTH FRONT/SIDE 5 - NOT APPLICABLE 9 - DEPLOYMENT UNKNOWN
------------------------------------------------------------------------------------------------------------------------------------------------------------------------------------------------------------------------------------------------------------------------------------------------------------------------------------------------------------------------------------------------------------------------------------------------------------------------------------------------------------------------------------------------------------------------------------------------------------------------------------------------------	---------------------------------------------------------------------------------------------------------------------------------------------------------------------

EJECTION 1 - NOT EJECTED 2 - TOTALLY EJECTED 3 - PARTIALLY EJECTED 4 - NOT APPLICABLE	TRAPPED 1 - NOT TRAPPED 2 - EXTRICATED BY MECHANICAL MEANS 3 - EXTRICATED BY NON-MECHANICAL MEANS	OPERATOR LICENSE CLASS 1 - CLASS A 2 - CLASS B 3 - CLASS C 4 - REGULAR CLASS (OTHER "D") 5 - MC/MOPED ONLY	CONDITION 1 - APPARENTLY NORMAL 2 - PHYSICAL IMPAIRMENT 3 - EMOTIONAL (DEPRESSED, ANGRY, DISTURBED) 4 - ILLNESS 5 - FELL ASLEEP, FAINED, FATIGUED 6 - UNDER THE INFLUENCE OF MEDICATIONS, DRUGS, ALCOHOL 7 - OTHER	ALCOHOL/DRUG SUSPECTED 1 - NONE 2 - YES - ALCOHOL SUSPECTED 3 - YES - HBD NOT IMPAIRED 4 - YES - DRUGS SUSPECTED 5 - YES - ALCOHOL AND DRUGS SUSPECTED
----------------------------------------------------------------------------------------------------------	-------------------------------------------------------------------------------------------------------------------	----------------------------------------------------------------------------------------------------------------------------------	------------------------------------------------------------------------------------------------------------------------------------------------------------------------------------------------------------------------------------------------	------------------------------------------------------------------------------------------------------------------------------------------------------------------------------

ALCOHOL TEST STATUS 1 - NONE GIVEN 2 - TEST REFUSED 3 - TEST GIVEN, CONTAMINATED SAMPLE/UNUSABLE 4 - TEST GIVEN, RESULTS KNOWN 5 - TEST GIVEN, RESULTS UNKNOWN	ALCOHOL TEST TYPE 1 - NONE 2 - BLOOD 3 - URINE 4 - BREATH 5 - OTHER	DRUG TEST STATUS 1 - NONE GIVEN 2 - TEST REFUSED 3 - TEST GIVEN, CONTAMINATED SAMPLE/UNUSABLE 4 - TEST GIVEN, RESULTS KNOWN 5 - TEST GIVEN, RESULTS UNKNOWN	DRUG TEST TYPE 1 - NONE 2 - BLOOD 3 - URINE 4 - OTHER	DRIVER DISTRACTED BY 1 - NO DISTRACTION REPORTED 2 - PHONE 3 - TEXTING/E-MAILING 4 - ELECTRONIC COMMUNICATION DEVICE 5 - OTHER ELECTRONIC DEVICE (NAVIGATION DEVICE, RADIO, DVD) 6 - OTHER INSIDE THE VEHICLE 7 - EXTERNAL DISTRACTION
--------------------------------------------------------------------------------------------------------------------------------------------------------------------------------------	-------------------------------------------------------------------------------------------	-----------------------------------------------------------------------------------------------------------------------------------------------------------------------------------	--------------------------------------------------------------------------	--------------------------------------------------------------------------------------------------------------------------------------------------------------------------------------------------------------------------------------------------------------------

UNIT NUMBER 01	NAME: LAST, FIRST, MIDDLE RIETH, CLAUDIA	DATE OF BIRTH 12 19 1997	AGE 16	GENDER F F - FEMALE M - MALE
--------------------------	----------------------------------------------------	------------------------------------	------------------	----------------------------------------------

ADDRESS, CITY, STATE, ZIP 5582 GLENBROOK CT MASON, OH 45040	CONTACT PHONE - INCLUDE AREA CODE 513-535-4991
-----------------------------------------------------------------------	----------------------------------------------------------

INJURIES 1	INJURED TAKEN BY	EMS AGENCY	MEDICAL FACILITY INJURED TAKEN TO	SAFETY EQUIPMENT USED 04	DOT COMPLIANT MOTORCYCLE HELMET	SEATING POSITION 03	AIR BAG USAGE 1	EJECTION 1	TRAPPED 1
----------------------	------------------	------------	-----------------------------------	------------------------------------	------------------------------------	-------------------------------	---------------------------	----------------------	---------------------

UNIT NUMBER 01	NAME: LAST, FIRST, MIDDLE RIETH, JACK	DATE OF BIRTH 09 24 1999	AGE 14	GENDER M F - FEMALE M - MALE
--------------------------	-------------------------------------------------	------------------------------------	------------------	----------------------------------------------

ADDRESS, CITY, STATE, ZIP 5582 GLENBROOK CT MASON, OH 45040	CONTACT PHONE - INCLUDE AREA CODE 513-515-2253
-----------------------------------------------------------------------	----------------------------------------------------------

INJURIES 1	INJURED TAKEN BY	EMS AGENCY	MEDICAL FACILITY INJURED TAKEN TO	SAFETY EQUIPMENT USED 04	DOT COMPLIANT MOTORCYCLE HELMET	SEATING POSITION 06	AIR BAG USAGE 1	EJECTION 1	TRAPPED 1
----------------------	------------------	------------	-----------------------------------	------------------------------------	------------------------------------	-------------------------------	---------------------------	----------------------	---------------------

LOCAL REPORT NUMBER
201141-V1818152

UNIT NUMBER 01	OWNER NAME: LAST, FIRST, MIDDLE (<input type="checkbox"/> SAME AS DRIVER) RIETH, JOHN, M	OWNER PHONE NUMBER - INC. AREA CODE (<input checked="" type="checkbox"/> SAME AS DRIVER)	DAMAGE SCALE 4	DAMAGED AREA
OWNER ADDRESS: CITY, STATE, ZIP (<input checked="" type="checkbox"/> SAME AS DRIVER)	LP STATE OH	LICENSE PLATE NUMBER FJH 7757	VEHICLE IDENTIFICATION NUMBER 2C3KAY3R16H470926	# OCCUPANTS 03
VEHICLE YEAR 2006	VEHICLE MAKE CHRYSLER	VEHICLE MODEL 300	VEHICLE COLOR GREEN	
PROOF OF INSURANCE SHOWS <input checked="" type="checkbox"/>	INSURANCE COMPANY STATE FARM	POLICY NUMBER C15 3422-DP6-35L	TOWED BY JACOBS	

CARRIER NAME, ADDRESS, CITY, STATE, ZIP	CARRIER PHONE - INCLUDE AREA CODE
US DOT	VEHICLE WEIGHT GVWR/GCWR 1 1 - LESS THAN OR EQUAL TO 10,000 LBS. 2 - 10,001 TO 26,000 LBS. 3 - MORE THAN 26,000 LBS.
HM PLACARD ID No.	CARGO BODY TYPE 01 01 - NO CARGO BODY TYPE/NOT APPLICABLE 02 - BUS/VAN (9-15 SEATS, INC DRIVER) 03 - BUS (16+ SEATS, INC DRIVER) 04 - VEHICLE TOWING ANOTHER VEHICLE 05 - LOGGING 06 - INTERMODAL CONTAINER CHASSIS 07 - CARGO VAN/ENCLOSED BOX 08 - GRAIN, CHIPS, GRAVEL
HM CLASS NUMBER	HAZARDOUS MATERIAL RELEASED <input type="checkbox"/>
	TRAFFICWAY DESCRIPTION 1 1 - Two-Way, NOT DIVIDED 2 - Two-Way, NOT DIVIDED, CONTINUOUS LEFT TURN LANE 3 - Two-Way, DIVIDED, UNPROTECTED (PAINTED OR GRASS 74 FL.) MEDIAN 4 - Two-Way, DIVIDED, POSITIVE MEDIAN BARRIER 5 - ONE-WAY TRAFFICWAY
	<input type="checkbox"/> HIT / SKIP UNIT

NON-MOTORIST LOCATION PRIOR TO IMPACT 01 01 - INTERSECTION - MARKED CROSSWALK 02 - INTERSECTION - NO CROSSWALK 03 - INTERSECTION - OTHER 04 - MIDDLEBLOCK - MARKED CROSSWALK 05 - TRAVEL LANE - OTHER LOCATION 06 - BICYCLE LANE 07 - SHOULDER/ROADSIDE 08 - SIDEWALK 09 - MEDIAN/CROSSING ISLAND 10 - DRIVEWAY ACCESS 11 - SHARED-USE PATH OR TRAIL 12 - NON-TRAFFICWAY AREA 99 - OTHER/UNKNOWN	TYPE OF USE 1 1 - PERSONAL 2 - COMMERCIAL 3 - GOVERNMENT	UNIT TYPE 04 99 - UNKNOWN OR HIT / SKIP	PASSENGER VEHICLES (LESS THAN 9 PASSENGERS) 01 - SUB-COMPACT 02 - COMPACT 03 - MID SIZE 04 - FULL SIZE 05 - MINIVAN 06 - SPORT UTILITY VEHICLE 07 - PICKUP 08 - VAN 09 - MOTORCYCLE 10 - MOTORIZED BICYCLE 11 - SNOWMOBILE/ATV 12 - OTHER PASSENGER VEHICLE	MED/HEAVY TRUCKS OR COMBO UNITS > 10K LBS 13 - SINGLE UNIT TRUCK OR VAN 2AXLE, 6 TIRES 14 - SINGLE UNIT TRUCK; 3+ AXLES 15 - SINGLE UNIT TRUCK / TRAILER 16 - TRACTOR/SEMI-TRAILER 17 - TRACTOR/DOUBLE 18 - TRACTOR/TRIPLES 20 - OTHER MED/HEAVY VEHICLE	BUS/VAN/LIMO (9 OR MORE INCLUDING DRIVER) 21 - BUS/VAN (9-15 SEATS, INC DRIVER) 22 - BUS (16+ SEATS, INC DRIVER) NON-MOTORIST 23 - ANIMAL WITH RIDER 24 - ANIMAL WITH BUGGY, WAGON, SURREY 25 - BICYCLE/PEDALCYCLIST 26 - PEDIPSIKIAN/SKATER 27 - OTHER NON-MOTORIST
<input type="checkbox"/> HAS HM PLACARD					

SPECIAL FUNCTION 01 01 - NONE 02 - TAXI 03 - RENTAL TRUCK (OVER 10K LBS) 04 - BUS - SCHOOL (PUBLIC OR PRIVATE) 05 - BUS - TRANSIT 06 - BUS - CHARTER 07 - BUS - SHUTTLE 08 - BUS - OTHER	09 - AMBULANCE 10 - FIRE 11 - HIGHWAY/MAINTENANCE 12 - MILITARY 13 - POLICE 14 - PUBLIC UTILITY 15 - OTHER GOVERNMENT 16 - CONSTRUCTION EQUIP.	17 - FARM VEHICLE 18 - FARM EQUIPMENT 19 - MOTORHOME 20 - GOLF CART 21 - TRAIN 22 - OTHER (EXPLAIN IN NARRATIVE)	MOST DAMAGED AREA 03 01 - NONE 02 - CENTER FRONT 03 - RIGHT FRONT 04 - RIGHT SIDE 05 - RIGHT REAR 06 - REAR CENTER 07 - LEFT REAR	ACTION 4 1 - NON-CONTACT 2 - NON-COLLISION 3 - STRIKING 4 - STRUCK 5 - STRIKING/STRUCK 9 - UNKNOWN
----------------------------------------------------------------------------------------------------------------------------------------------------------------------------------------------------------------------------	---------------------------------------------------------------------------------------------------------------------------------------------------------------------	---------------------------------------------------------------------------------------------------------------------------------	------------------------------------------------------------------------------------------------------------------------------------------------------------------	--------------------------------------------------------------------------------------------------------------------------------

PRE-CRASH ACTIONS 06 99 - UNKNOWN	MOTORIST 01 - STRAIGHT AHEAD 02 - BACKING 03 - CHANGING LANES 04 - OVERTAKING/PASSING 05 - MAKING RIGHT TURN 06 - MAKING LEFT TURN	07 - MAKING U-TURN 08 - ENTERING TRAFFIC LANE 09 - LEAVING TRAFFIC LANE 10 - PARKED 11 - SLOWING OR STOPPED IN TRAFFIC 12 - DRIVERLESS	13 - NEGOTIATING A CURVE 14 - OTHER MOTORIST ACTION	NON-MOTORIST 15 - ENTERING OR CROSSING SPECIFIED LOCATION 16 - WALKING, RUNNING, JOGGING, PLAYING, CYCLING 17 - WORKING 18 - PUSHING VEHICLE 19 - APPROACHING OR LEAVING VEHICLE 20 - STANDING 21 - OTHER NON-MOTORIST ACTION
------------------------------------------------	------------------------------------------------------------------------------------------------------------------------------------------------------	-------------------------------------------------------------------------------------------------------------------------------------------------------	--------------------------------------------------------	----------------------------------------------------------------------------------------------------------------------------------------------------------------------------------------------------------------------------------------------------

CONTRIBUTING CIRCUMSTANCES	VEHICLE DEFECTS
PRIMARY 02 01 - NONE 02 - FAILURE TO YIELD 03 - RAN RED LIGHT 04 - RAN STOP SIGN 05 - EXCEEDED SPEED LIMIT 06 - UNSAFE SPEED 07 - IMPROPER TURN 08 - LEFT OF CENTER 09 - FOLLOWED TOO CLOSELY/ACDA 10 - IMPROPER LANE CHANGE /PASSING/OTY ROAD	01 01 - TURN SIGNALS 02 - HEAD LAMPS 03 - TAIL LAMPS 04 - BRAKES 05 - STEERING 06 - TIRE BLOWOUT 07 - WORN OR SLICK TIRES 08 - TRAILER EQUIPMENT DEFECTIVE 09 - MOTOR TROUBLE 10 - DISABLED FROM PRIOR ACCIDENT 11 - OTHER DEFECTS
SECONDARY 01 99 - UNKNOWN	NON-MOTORIST 22 - NONE 23 - IMPROPER CROSSING 24 - DARTING 25 - LYING AND/OR ILLEGALLY IN ROADWAY 26 - FAILURE TO YIELD RIGHT OF WAY 27 - NOT VISIBLE (DARK CLOTHING) 28 - INATTENTIVE 29 - FAILURE TO OBEY TRAFFIC SIGNS /SIGNALS/OFFICER 30 - WRONG SIDE OF THE ROAD 31 - OTHER NON-MOTORIST ACTION

SEQUENCE OF EVENTS 1 20 2 01 3 01 4 01 5 01 6 01 FIRST HARMFUL EVENT 1 MOST HARMFUL EVENT 1 99 - UNKNOWN	NON-COLLISION EVENTS 01 - OVERTURN/ROLLOVER 02 - FIRE/EXPLOSION 03 - IMMERSION 04 - JACKKNIFE 05 - CARGO/EQUIPMENT LOSS OR SHIFT 06 - EQUIPMENT FAILURE (BLOWN TIRE, BRAKE FAILURE, ETC) 07 - SEPARATION OF UNITS 08 - RAN OFF ROAD RIGHT 09 - RAN OFF ROAD LEFT 10 - CROSS MEDIAN 11 - CROSS CENTER LINE 12 - DOWNHILL RUNAWAY 13 - OTHER NON-COLLISION
COLLISION WITH PERSON, VEHICLE OR OBJECT NOT FIXED 14 - PEDESTRIAN 15 - PEDALCYCLE 16 - RAILWAY VEHICLE (TRAIN, ENGINE) 17 - ANIMAL - FARM 18 - ANIMAL - DEER 19 - ANIMAL - OTHER 20 - MOTOR VEHICLE IN TRANSPORT 21 - PARKED MOTOR VEHICLE 22 - WORK ZONE MAINTENANCE EQUIPMENT 23 - STRUCK BY FALLING, SHIFTING CARGO OR ANYTHING SET IN MOTION BY A MOTOR VEHICLE 24 - OTHER MOVABLE OBJECT 25 - IMPACT ATTENTION/CRASH OVERTAKE 26 - BRIDGE OVERHEAD STRUCTURE 27 - BRIDGE PIECE OR ABUTMENT 28 - BRIDGE PARAPET 29 - BRIDGE RAIL 30 - GUARDRAIL FACE 31 - GUARDRAIL END 32 - PORTABLE BARRIER 33 - MEDIAN CABLE BARRIER 34 - MEDIAN GUARDRAIL BARRIER 35 - MEDIAN CONCRETE BARRIER 36 - MEDIAN OTHER BARRIER 37 - TRAFFIC SIGN POST 38 - OVERHEAD SIGN POST 39 - LIGHT/LUMINARIES SUPPORT 40 - UTILITY POLE 41 - OTHER POST, POLE OR SUPPORT 42 - CURB 43 - CURB 44 - DITCH 45 - EMBANKMENT 46 - FENCE 47 - MAILBOX 48 - TREE 49 - FIRE HYDRANT 50 - WORK ZONE MAINTENANCE EQUIPMENT 51 - WALL, BUILDING, TUNNEL 52 - OTHER FIXED OBJECT	

UNIT SPEED 040 <input checked="" type="checkbox"/> STATED <input type="checkbox"/> ESTIMATED	POSTED SPEED 59	TRAFFIC CONTROL 01 01 - NO CONTROLS 02 - STOP SIGN 03 - YIELD SIGN 04 - TRAFFIC SIGNAL 05 - TRAFFIC FLASHERS 06 - SCHOOL ZONE 07 - RAILROAD CROSSINGS 08 - STOP SIGN 09 - RAILROAD GATES 10 - CONSTRUCTION BARRICADE 11 - PERSON (FLAGGER, OFFICER) 12 - PAVEMENT MARKINGS 13 - CROSSWALK LINES 14 - WALK/DONT WALK 15 - OTHER 16 - NOT REPORTED	UNIT DIRECTION FROM 7 TO 1 1 - NORTH 2 - SOUTH 3 - EAST 4 - WEST 5 - NORTHEAST 6 - NORTHWEST 7 - SOUTHEAST 8 - SOUTHWEST 9 - UNKNOWN
--------------------------------------------------------------------------------------------------------------	---------------------------	------------------------------------------------------------------------------------------------------------------------------------------------------------------------------------------------------------------------------------------------------------------------------------------------------------------------------------------------------------------------------------------------------------	----------------------------------------------------------------------------------------------------------------------------------------------------------------------------------

LOCAL REPORT NUMBER
20114-119952

UNIT NUMBER 02	OWNER NAME: LAST, FIRST, MIDDLE (<input checked="" type="checkbox"/> SAME AS DRIVER)	OWNER PHONE NUMBER - INC. AREA CODE (<input checked="" type="checkbox"/> SAME AS DRIVER)	DAMAGE SCALE 1	DAMAGED AREA
OWNER ADDRESS: CITY, STATE, ZIP (<input checked="" type="checkbox"/> SAME AS DRIVER)			1 - NONE	
LP STATE OH	LICENSE PLATE NUMBER FGP 3116	VEHICLE IDENTIFICATION NUMBER ZT1BR1ZESXC250671	2 - MINOR	
VEHICLE YEAR 1999	VEHICLE MAKE TOYOTA	VEHICLE MODEL COROLLA	3 - FUNCTIONAL	
<input checked="" type="checkbox"/> PROOF OF INSURANCE SHOWN	INSURANCE COMPANY PROGRESSIVE	POLICY NUMBER 37638449	4 - DISABLING	
		TOWED BY JACOBS	9 - UNKNOWN	
CARRIER NAME, ADDRESS, CITY, STATE, ZIP			CARRIER PHONE - INCLUDE AREA CODE	

US DOT	VEHICLE WEIGHT GVWR/GCWR 1 1 - LESS THAN OR EQUAL TO 10K LBS. 2 - 10,001 TO 26,000 LBS. 3 - MORE THAN 26,000 LBS.	CARGO BODY TYPE 01 01 - NO CARGO BODY TYPE/NOT APPLICABLE 02 - BUS/VAN (9-15 SEATS, INC DRIVER) 03 - BUS (16+ SEATS, INC DRIVER) 04 - VEHICLE TOWING ANOTHER VEHICLE 05 - LOGGING 06 - INTERMODAL CONTAINER CHASSIS 07 - CARGO VAN/ENCLOSED BOX 08 - GRAIN, CHIPS, GRAVEL	09 - POLE 10 - CARGO TANK 11 - FLAT BED 12 - DUMP 13 - CONCRETE MIXER 14 - AUTO TRANSPORTER 15 - GARBAGE/REFUSE 99 - OTHER/UNKNOWN	TRAFFICWAY DESCRIPTION 1 1 - TWO-WAY, NOT DIVIDED 2 - TWO-WAY, NOT DIVIDED, CONTINUOUS LEFT TURN LANE 3 - TWO-WAY, DIVIDED, UNPROTECTED (PAINTED OR GRASS 2-4 FT.) MEDIAN 4 - TWO-WAY, DIVIDED, POSITIVE MEDIAN BARRIER 5 - ONE-WAY TRAFFICWAY
HM PLACARD ID NO.	<input type="checkbox"/> HAZARDOUS MATERIAL RELEASED			<input type="checkbox"/> HIT / SKIP UNIT

NON-MOTORIST LOCATION PRIOR TO IMPACT 01 01 - INTERSECTION - MARKED CROSSWALK 02 - INTERSECTION - NO CROSSWALK 03 - INTERSECTION - OTHER 04 - MIDBLOCK - MARKED CROSSWALK 05 - TRAVEL LANE - OTHER LOCATION 06 - BICYCLE LANE 07 - SHOULDER/ROADSIDE 08 - SIDEWALK 09 - MEDIAN/CROSSING ISLAND 10 - DRIVEWAY ACCESS 11 - SHARED-USE PATH OR TRAIL 12 - NON-TRAFFICWAY AREA 99 - OTHER/UNKNOWN	TYPE OF USE 1 1 - PERSONAL 2 - COMMERCIAL 3 - GOVERNMENT <input type="checkbox"/> IN EMERGENCY RESPONSE	UNIT TYPE 02 99 - UNKNOWN OR HIT / SKIP	PASSENGER VEHICLES (LESS THAN 9 PASSENGERS) 01 - SUB-COMPACT 02 - COMPACT 03 - MID SIZE 04 - FULL SIZE 05 - MINIVAN 06 - SPORT UTILITY VEHICLE 07 - PICKUP 08 - VAN 09 - MOTORCYCLE 10 - MOTORIZED BICYCLE 11 - SNOWMOBILE/ATV 12 - OTHER PASSENGER VEHICLE	MED/HEAVY TRUCKS OR COMBO UNITS > 10K LBS 13 - SINGLE UNIT TRUCK OR VAN 2AXLE, 6 TIRES 14 - SINGLE UNIT TRUCK; 3+ AXLES 15 - SINGLE UNIT TRUCK / TRAILER 16 - TRUCK/TRACTOR (BOBTAH) 17 - TRACTOR/SEMI-TRAILER 18 - TRACTOR/DOUBLE 19 - TRACTOR/TRIPLES 20 - OTHER MED/HEAVY VEHICLE	BUS/VAN/LIMO (9 OR MORE INCLUDING DRIVER) 21 - BUS/VAN (9-15 SEATS, INC DRIVER) 22 - BUS (16+ SEATS, INC DRIVER) NON-MOTORIST 23 - ANIMAL WITH RIDER 24 - ANIMAL WITH BUGGY, WAGON, SURREY 25 - BICYCLE/PEDALCYCLIST 26 - PEDESTRIAN/SKATER 27 - OTHER NON-MOTORIST
			<input type="checkbox"/> HAS HM PLACARD		

SPECIAL FUNCTION 01 01 - NONE 02 - TAXI 03 - RENTAL TRUCK (OVER 10K LBS) 04 - BUS - SCHOOL (PUBLIC OR PRIVATE) 05 - BUS - TRANSIT 06 - BUS - CHARTER 07 - BUS - SHRITTLE 08 - BUS - OTHER	09 - AMBULANCE 10 - FIRE 11 - HIGHWAY/MAINTENANCE 12 - MILITARY 13 - POLICE 14 - PUBLIC UTILITY 15 - OTHER GOVERNMENT 16 - CONSTRUCTION EQUIP.	17 - FARM VEHICLE 18 - FARM EQUIPMENT 19 - MOTORHOME 20 - GOLF CART 21 - TRAIN 22 - OTHER (EXPLAIN IN NARRATIVE)	MOST DAMAGED AREA 02 01 - NONE 02 - CENTER FRONT 03 - RIGHT FRONT 04 - RIGHT SIDE 05 - RIGHT REAR 06 - REAR CENTER 07 - LEFT REAR	08 - LEFT SIDE 09 - LEFT FRONT 10 - TOP AND WINDOWS 11 - UNDERCARRIAGE 12 - LOAD/TRAILER 13 - TOTAL(ALL AREAS) 14 - OTHER	ACTION 01 1 - NON-CONTACT 2 - NON-COLLISION 3 - STRIKING 4 - STRUCK 5 - STRIKING/STRUCK 9 - UNKNOWN
-----------------------------------------------------------------------------------------------------------------------------------------------------------------------------------------------------------------------------	---------------------------------------------------------------------------------------------------------------------------------------------------------------------	---------------------------------------------------------------------------------------------------------------------------------	------------------------------------------------------------------------------------------------------------------------------------------------------------------	---------------------------------------------------------------------------------------------------------------------------------------------	---------------------------------------------------------------------------------------------------------------------------------

PRE-CRASH ACTIONS 01 99 - UNKNOWN	MOTORIST 01 - STRAIGHT AHEAD 02 - BACKING 03 - CHANGING LANES 04 - OVERTAKING/PASSING 05 - MAKING RIGHT TURN 06 - MAKING LEFT TURN	07 - MAKING U-TURN 08 - ENTERING TRAFFIC LANE 09 - LEAVING TRAFFIC LANE 10 - PARKED 11 - SLOWING OR STOPPED IN TRAFFIC 12 - DRIVERLESS	13 - NEGOTIATING A CURVE 14 - OTHER MOTORIST ACTION	NON-MOTORIST 15 - ENTERING OR CROSSING SPECIFIED LOCATION 16 - WALKING, RUNNING, JOGGING, PLAYING, CYCLING 17 - WORKING 18 - PUSHING VEHICLE 19 - APPROACHING OR LEAVING VEHICLE 20 - STANDING 21 - OTHER NON-MOTORIST ACTION
------------------------------------------------	------------------------------------------------------------------------------------------------------------------------------------------------------	-------------------------------------------------------------------------------------------------------------------------------------------------------	--------------------------------------------------------	----------------------------------------------------------------------------------------------------------------------------------------------------------------------------------------------------------------------------------------------------

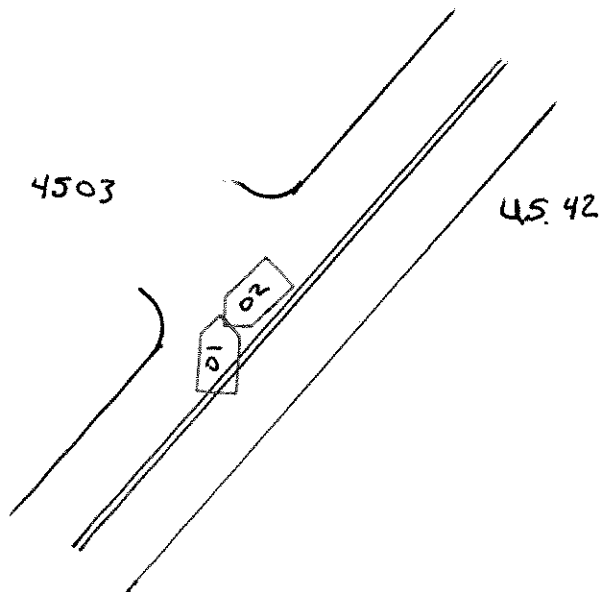
CONTRIBUTING CIRCUMSTANCES PRIMARY 01 99 - UNKNOWN	MOTORIST 01 - NONE 02 - FAILURE TO YIELD 03 - RAN RED LIGHT 04 - RAN STOP SIGN 05 - EXCEEDED SPEED LIMIT 06 - UNSAFE SPEED 07 - IMPROPER TURN 08 - LEFT OF CENTER 09 - FOLLOWED TOO CLOSELY/ACDA 10 - IMPROPER LANE CHANGE /PASSING/OFF ROAD	11 - IMPROPER BACKING 12 - IMPROPER START FROM PARKED POSITION 13 - STOPPED OR PARKED ILLEGALLY 14 - OPERATING VEHICLE IN NEGLECTED MANNER 15 - SWERVING TO AVOID (DUE TO EXTERNAL CONDITIONS) 16 - WRONG SIDE/WRONG WAY 17 - FAILURE TO CONTROL 18 - VISIBILITY OBSTRUCTION 19 - OPERATING DEFECTIVE EQUIPMENT 20 - LOAD SHIFTING/FALLING/SPILLING 21 - OTHER IMPROPER ACTION	NON-MOTORIST 22 - NONE 23 - IMPROPER CROSSING 24 - DARTING 25 - LYING AND/OR ILLEGALLY IN ROADWAY 26 - FAILURE TO YIELD RIGHT OF WAY 27 - NOT VISIBLE (DARK CLOTHING) 28 - INATTENTIVE 29 - FAILURE TO OBEY TRAFFIC SIGNS /SIGNALS/OFFICER 30 - WRONG SIDE OF THE ROAD 31 - OTHER NON-MOTORIST ACTION	VEHICLE DEFECTS 01 01 - TURN SIGNALS 02 - HEAD LAMPS 03 - TAIL LAMPS 04 - BRAKES 05 - STEERING 06 - TIRE BLOWOUT 07 - WORN OR SLICK TIRES 08 - TRAILER EQUIPMENT DEFECTIVE 09 - MOTOR TROUBLE 10 - DISABLED FROM PRIOR ACCIDENT 11 - OTHER DEFECTS
--------------------------------------------------------------------	----------------------------------------------------------------------------------------------------------------------------------------------------------------------------------------------------------------------------------------------------------------------------	--------------------------------------------------------------------------------------------------------------------------------------------------------------------------------------------------------------------------------------------------------------------------------------------------------------------------------------------------------------------------------------------------------------	-------------------------------------------------------------------------------------------------------------------------------------------------------------------------------------------------------------------------------------------------------------------------------------------------------------------------------------	-----------------------------------------------------------------------------------------------------------------------------------------------------------------------------------------------------------------------------------------------------------------------------------------------

SEQUENCE OF EVENTS 1 20 2 3 4 5 6 FIRST HARMFUL EVENT 1 MOST HARMFUL EVENT 1 99 - UNKNOWN	NON-COLLISION EVENTS 01 - OVERTURN/ROLLOVER 02 - FIRE/EXPLOSION 03 - IMMERSION 04 - JACKKNIFE 05 - CARGO/EQUIPMENT LOSS OR SHIFT 06 - EQUIPMENT FAILURE (BLOWN TIRE, BRAKE FAILURE, ETC) 07 - SEPARATION OF UNITS 08 - RAN OFF ROAD RIGHT 09 - RAN OFF ROAD LEFT 10 - CROSS MEDIAN 11 - CROSS CENTER LINE OPPOSITE DIRECTION OF TRAVEL 12 - DOWNHILL RUNAWAY 13 - OTHER NON-COLLISION	COLLISION WITH FIXED OBJECT 25 - IMPACT ATTENUATOR/CHASH CUSHION 26 - BRIDGE OVERHEAD STRUCTURE 27 - BRIDGE PIER OR ABUTMENT 28 - BRIDGE PARAPET 29 - BRIDGE RAIL 30 - GUARDRAIL FACE 31 - GUARDRAIL END 32 - PORTABLE BARRIER 33 - MEDIAN CABLE BARRIER 34 - MEDIAN GUARDRAIL BARRIER 35 - MEDIAN CONCRETE BARRIER 36 - MEDIAN OTHER BARRIER 37 - TRAFFIC SIGN POST 38 - OVERHEAD SIGN POST 39 - LIGHT/LUMINARES SUPPORT 40 - UTILITY POLE 41 - OTHER POST, POLE OR SUPPORT 42 - CULVERT 43 - CURB 44 - DITCH 45 - EMBANKMENT 46 - FENCE 47 - MAILBOX 48 - TREE 49 - FIRE HYDRANT 50 - WORK ZONE MAINTENANCE EQUIPMENT 51 - WALL, BUILDING, TUNNEL 52 - OTHER FIXED OBJECT
-------------------------------------------------------------------------------------------------------------------------	---------------------------------------------------------------------------------------------------------------------------------------------------------------------------------------------------------------------------------------------------------------------------------------------------------------------------------------------------------------------------------------------------------------------------------	-----------------------------------------------------------------------------------------------------------------------------------------------------------------------------------------------------------------------------------------------------------------------------------------------------------------------------------------------------------------------------------------------------------------------------------------------------------------------------------------------------------------------------------------------------------------------------------------------------------------------------------------------------------------------------------------------------------------------------------------------------------------

UNIT SPEED 045	POSTED SPEED 50	TRAFFIC CONTROL 01 01 - NO CONTROLS 02 - STOP SIGN 03 - YIELD SIGN 04 - TRAFFIC SIGNAL 05 - TRAFFIC FLASHERS 06 - SCHOOL ZONE 07 - RAILROAD CROSSINGS 08 - RAILROAD FLASHERS 09 - RAILROAD GATES 10 - CONSTRUCTION BARRICADE 11 - PERSON (FLAGGER, OFFICER) 12 - PAVEMENT MARKINGS 13 - CROSSWALK LINES 14 - WALK/DON'T WALK 15 - OTHER 16 - NOT REPORTED	UNIT DIRECTION From 3 To 4 1 - NORTH 2 - SOUTH 3 - EAST 4 - WEST 5 - NORTHEAST 6 - NORTHWEST 7 - SOUTHEAST 8 - SOUTHWEST 9 - UNKNOWN
<input checked="" type="checkbox"/> STATED <input type="checkbox"/> ESTIMATED			PAGE 3 OF 4



LOCAL REPORT NUMBER 14-19852	REPORTING AGENCY MASON POLICE	DATE OF CRASH M 06 D 20 Y 2014
IN COUNTY OF WARREN	CRASH LOCATION 4503 U.S. 42	



NOT TO SCALE

OFFICER'S SIGNATURE X PD T DONLEY	BADGE NUMBER 1C15
---------------------------------------------	-----------------------------



LOCAL REPORT NUMBER 14-19852	REPORTING AGENCY MASON POLICE	DATE OF CRASH M06 020 2014
----------------------------------------	-----------------------------------------	------------------------------------------

FOR LOCAL USE ONLY – DO NOT SUBMIT TO THE STATE EXCEPT FOR FATAL CRASHES

I, Virginia Rieth HEREBY MAKE THIS VOLUNTARY STATEMENT TO
PRINTED
P.O. T. DONLEY AT 4503 U.S. 42
OFFICER'S NAME LOCATION

I was trying to make a left turn into crossfit to take my brother to workouts, I saw a car coming that I hadn't registered before, he honked at me and I braked but I still hit him on the left front side of his car.

Q. WERE YOU, OR ANYONE IN YOUR VEHICLE INJURED? **No**

Q. WERE YOU WEARING YOUR SEAT BELT? **yes**

Q. WHAT DIRECTION WERE YOU GOING?

Q. WHAT WAS YOUR SPEED? **35-40**

Q. WERE YOU USING A CELL PHONE AT THE TIME OF THE CRASH? **No**

ADDRESS OF WITNESS 5582 Glen Brook Ct PHONE 513-833-3628

SIGNATURE OF WITNESS X Virginia Rieth OFFICER'S SIGNATURE X P O T DONLEY 15



LOCAL REPORT NUMBER 14-17852	REPORTING AGENCY MASON POLICE	DATE OF CRASH M 06 D 20 Y 2014
----------------------------------------	-----------------------------------------	--------------------------------------------------------

FOR LOCAL USE ONLY – DO NOT SUBMIT TO THE STATE EXCEPT FOR FATAL CRASHES

I, **Tommy Robinson** PRINTED HEREBY MAKE THIS VOLUNTARY STATEMENT TO
P.O. T. DONLEY AT **4503 U.S. 42**
OFFICER'S NAME LOCATION

I was driving up route 42 when the other car made a left turn in front of me and ~~hit~~ hit my left-front bumper, I blew my horn and slammed my brakes but there was absolutely nothing I could do to prevent the accident.

Q. WERE YOU, OR ANYONE IN YOUR VEHICLE INJURED? **Strictly Not seriously**

Q. WERE YOU WEARING YOUR SEAT BELT? **Yes**

Q. WHAT DIRECTION WERE YOU GOING? **North east**

Q. WHAT WAS YOUR SPEED? **45 MPH**

Q. WERE YOU USING A CELL PHONE AT THE TIME OF THE CRASH? **No**

ADDRESS OF WITNESS 237 Wedgewood	PHONE 513-376-4386
SIGNATURE OF WITNESS X Tommy Robinson	OFFICER'S SIGNATURE X P.O. T. DONLEY IS